

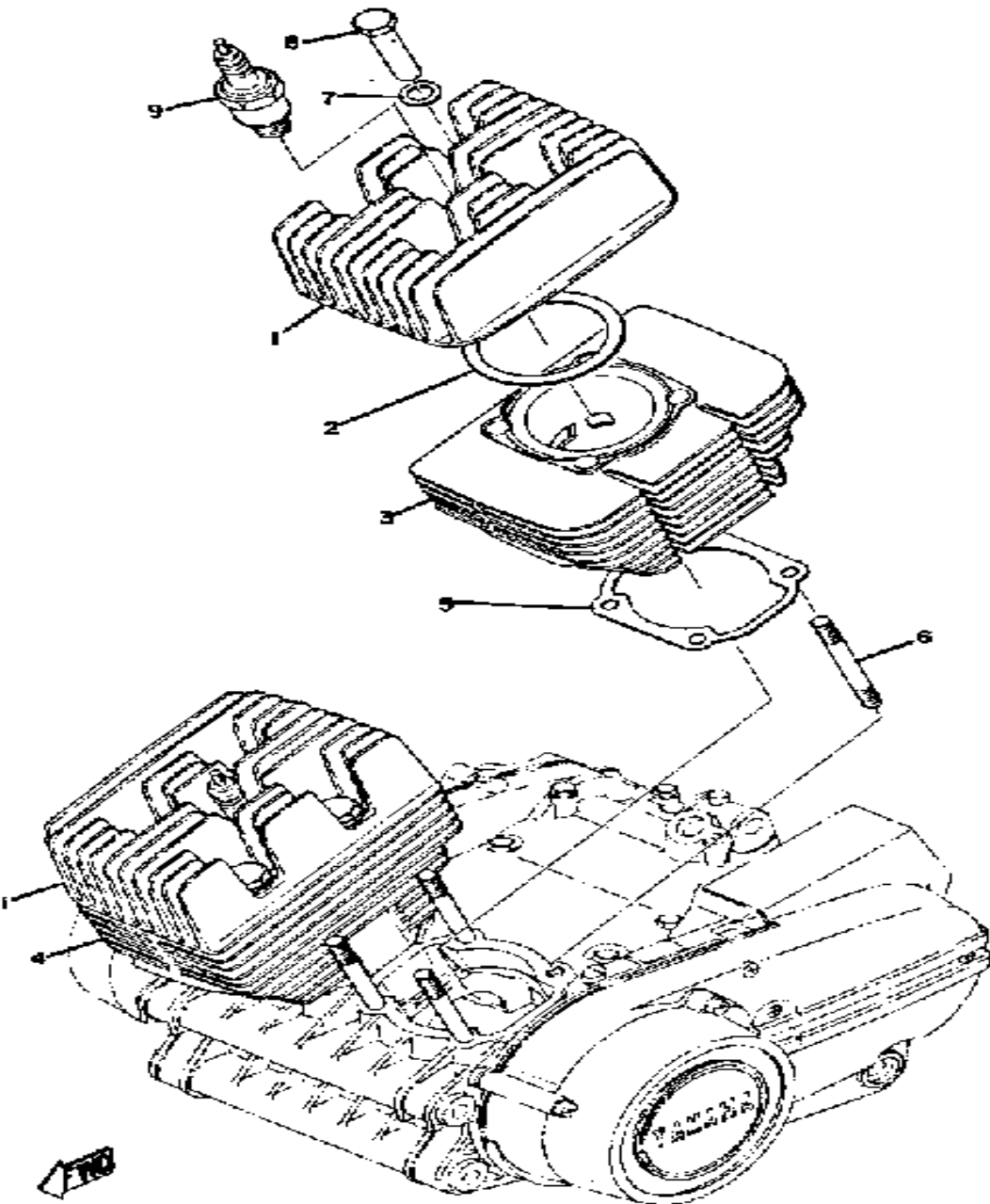
YAMAHA

GENUINE

PARTS CATALOGUE

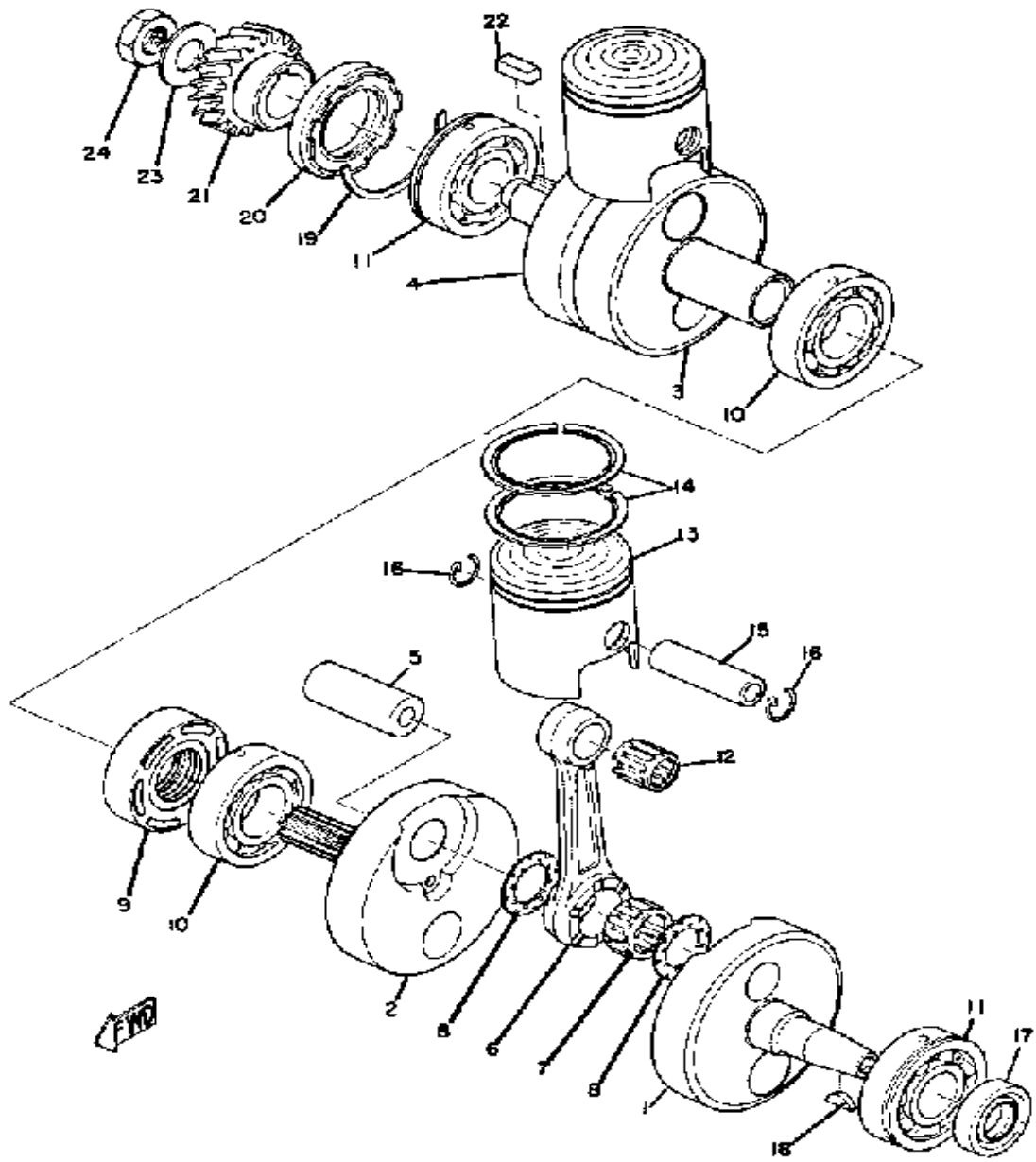
MOTORCYCLE

CYLINDER HEAD - CYLINDER



Ref. No.	Part Number	Description	Qty	Remarks
1	360-11111-01-00	HEAD, CYLINDER 1	2	
2	278-11181-01-00	GASKET, CYLINDER HEAD 1 .	2	
3	(278-11311-01-00)	CYLINDER 1	1	F/NO. 0217445
4	(278-11321-01-00)	CYLINDER 2	1	F/NO. 0217445
5	278-11351-01-00	GASKET, CYLINDER	2	
6	90116-08065-00	BOLT, STUD	8	
7	90201-12362-00	WASHER, PLATE	8	
8	90179-08026-00	NUT, SPEC'L SHAPE	8	
9	(94701-00033-00)	SPARK PLUG B9HC	2	
	NGK-B9ES0-00-00	NGK B9ES 10PK	2	

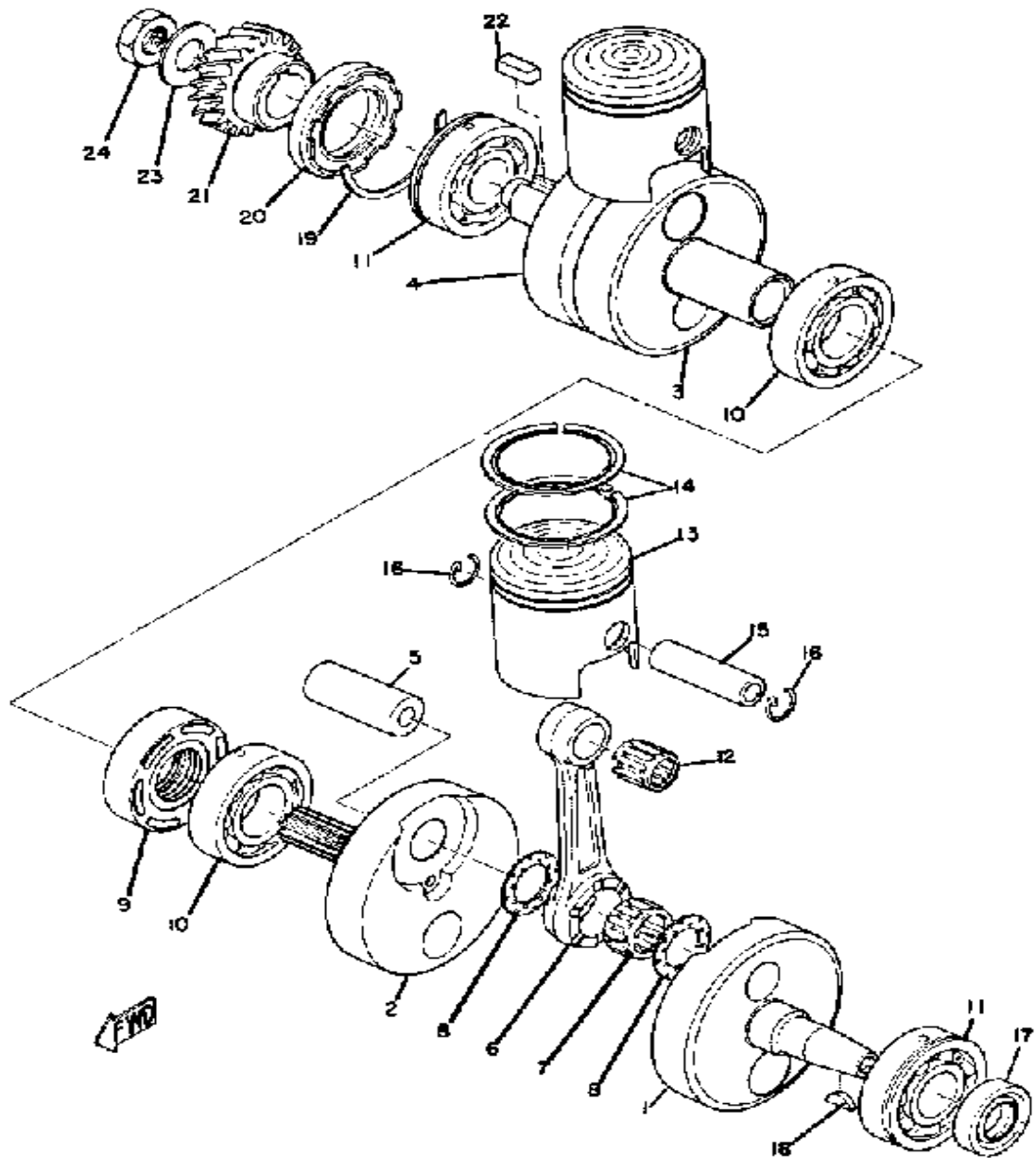
CRANKSHAFT - PISTON



Ref. No.	Part Number	Description	Qty	Remarks
1	(278-11412-00-00)	CRANK 1	1	
2	(278-11422-00-00)	CRANK 2	1	
3	(278-11432-00-00)	CRANK 3	1	
4	(278-11442-00-00)	CRANK 4	1	
5	8G8-11681-00-00	. PIN, CRANK 1	2	
6	34X-11651-00-00	. ROD, CONNECTING	2	
7	93310-42277-00	. BEARING, CYLINDER.#10 (93310-42231)	2	
8	90209-22248-00	. WASHER	4	
9	278-11515-00-00	. SEAL, LABYRINTH 1	1	
10	93306-20621-00	. BEARING	2	
11	93306-30549-00	. BEARING	2	
12	93310-216E1-00	BEARING	2	
13	278-11631-09-96	PISTON STD	2	PN376
	278-11635-09-00	PISTON 1 O/S 0.5	2	ALT. PART
	278-11636-09-00	PISTON 2 O/S 0.0	2	ALT. PART
	278-11637-09-00	PISTON 3 O/S 0.5	2	ALT. PART
	278-11638-09-00	PISTON 4 O/S 1.0	2	ALT. PART
14	(278-11610-01-00)	PISTON RINGSET STD	2	F/0021955
	(278-11610-41-00)	PISTON RINGSET 4TH	2	F/0021955
	278-11610-11-00	PISTON RINGSET 1ST	2	F/0021955
	278-11610-21-00	PISTON RINGSET 2ND	2	F/0021955
	278-11610-31-00	PISTON RINGSET 3RD	2	F/0021955
	360-11610-02-00	PISTON RINGSET STD	2	PN376
	360-11610-12-00	PISTON RINGSET 1ST	2	
	360-11610-22-00	PISTON RINGSET 2ND	2	
	360-11610-32-00	PISTON RINGSET 3RD	2	
	360-11610-42-00	PISTON RINGSET 4TH	2	
15	4L0-11633-00-00	PIN, PISTON	2	

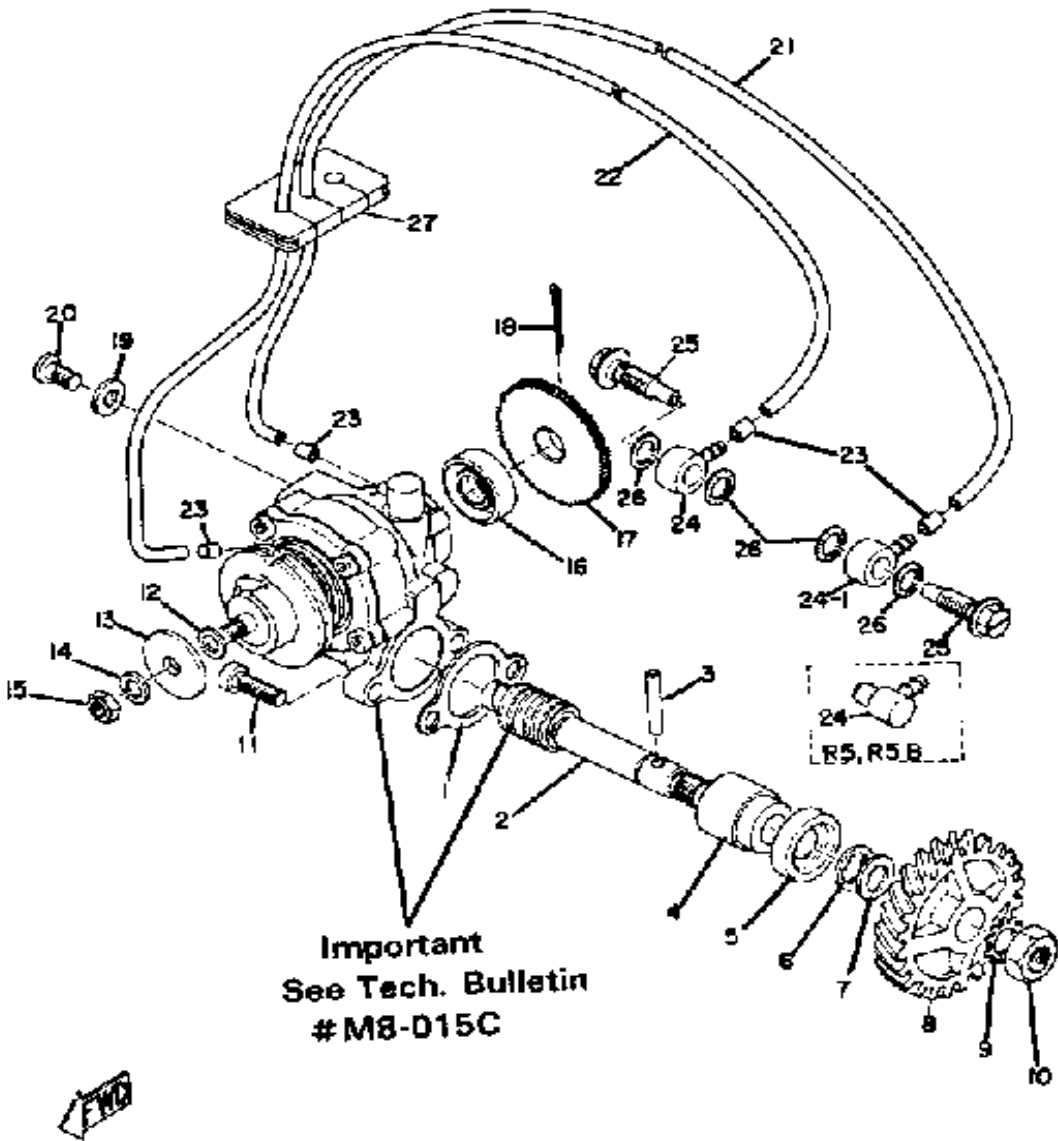
CONTINUED ON NEXT FRAME ►

CRANKSHAFT - PISTON



Ref. No.	Part Number	Description	Qty	Remarks
16	93450-17025-00	CIRCLIP	4	
17	93103-20046-00	OIL SEAL, SW-TYPE	1	F/0021955
18	90280-04005-00	KEY, WOODRUFF	1	
19	278-17424-01-00	CIRCLIP 1	1	
20	(93103-40058-00)	OIL SEAL, SW-TYPE	1	
21	(278-16111-01-00)	GEAR, PRI DRIVE	1	M4-038
22	90282-07023-00	KEY, STRAIGHT	1	
23	214-16119-00-00	SPRING, BELLEVILLE	1	
24	90170-16182-00	NUT	1	
25	(278-11630-01-00)	PISTON KIT STD	2	
26	(278-11630-11-00)	PISTON KIT 1ST	2	
27	278-11636-09-00	PISTON 2 O/S 0.0	2	
-1	(360-11400-00-00)	CRANKSHAFT ASSEMBLY ...	1	

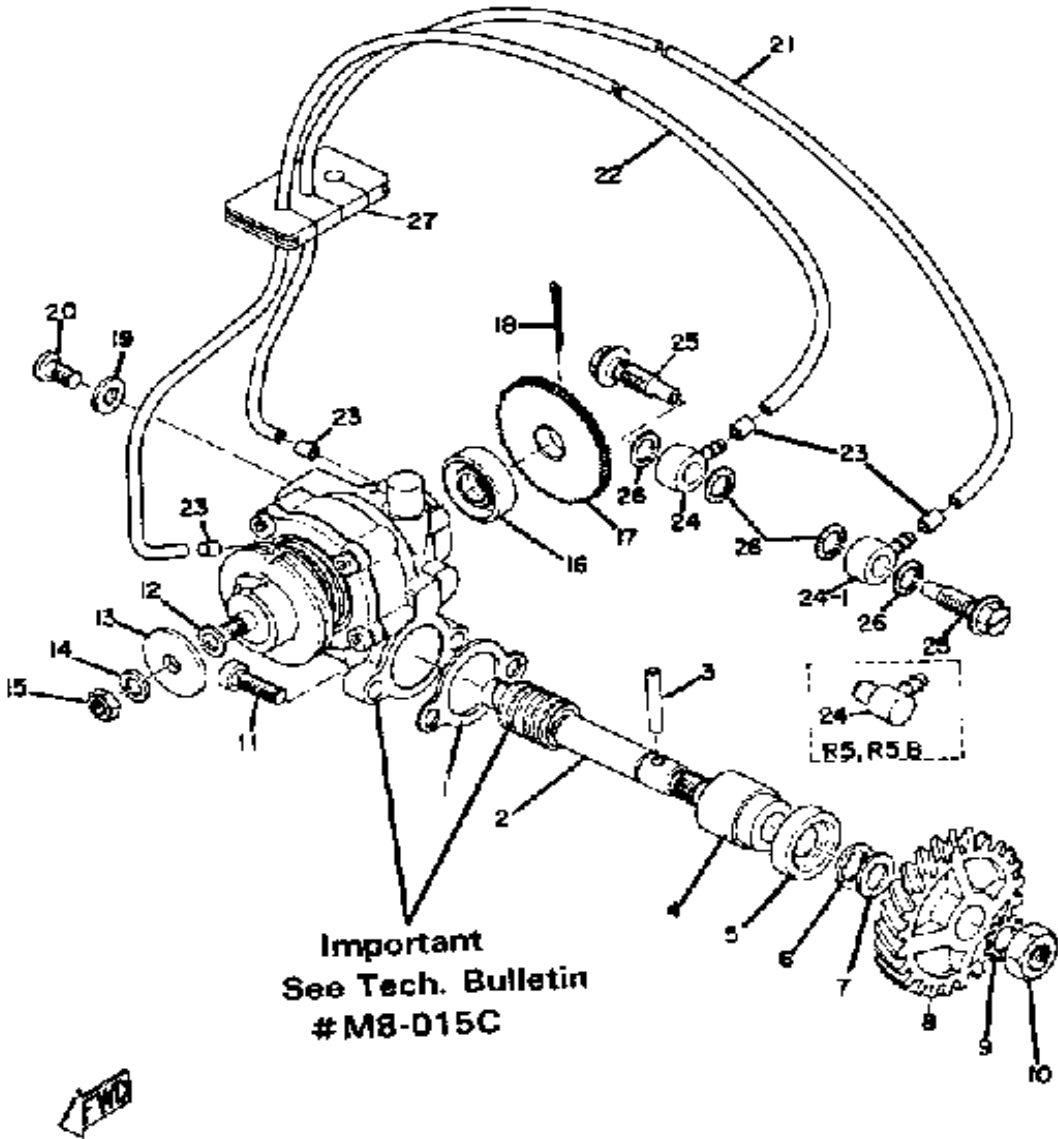
OIL PUMP



Ref. No.	Part Number	Description	Qty	Remarks
1	3MT-13116-00-00	GASKET, PUMP CASE (8Y0-13116-00)	1	
2	278-13175-01-00	SHAFT, WORM (278-13175-00)	1	SEE TECH BULL. M8-015C
3	93603-22028-00	PIN, DOWEL	1	
4	1E7-13176-00-00	METAL, WRM SHAF OTR	1	
5	93101-10002-00	OIL SEAL	1	
6	99001-08600-00	CIRCLIP	1	
7	90201-105J4-00	WASHER, PLATE (90201-106H1)	1	
8	278-13178-00-00	GEAR, PUMP DRIVE	1	
9	92901-08400-00	WASHER, EX.TOOTH	1	
10	95303-08700-00	NUT	1	
11	98580-05016-00	SCREW, PAN HEAD (98501-05016)	2	
12	137-13137-00-10	. SHIM (1.0T)	1	
13	137-13138-01-00	. PLATE, ADJUSTING	1	
14	92990-05100-00	. WASHER, SPRING	1	
15	95380-05600-00	. NUT	1	
16	93101-10090-00	. OIL SEAL	1	
17	(137-13128-00-00)	PLATE, STARTER	1	
18	91401-12018-00	. PIN, COTTER	1	
19	90430-04004-00	. GASKET	1	
20	98901-04008-00	. SCREW, BIND	1	
21	90445-05034-00	. HOSE	1	
22	90445-05301-00	. HOSE (214-13161-01)	1	
23	90468-02033-00	. CLIP	4	
24	278-13552-02-00	. NOZZLE (278-13552-01) 0 1	2	
25	90401-06001-00	BOLT, UNION	2	
26	90430-06011-00	GASKET	4	

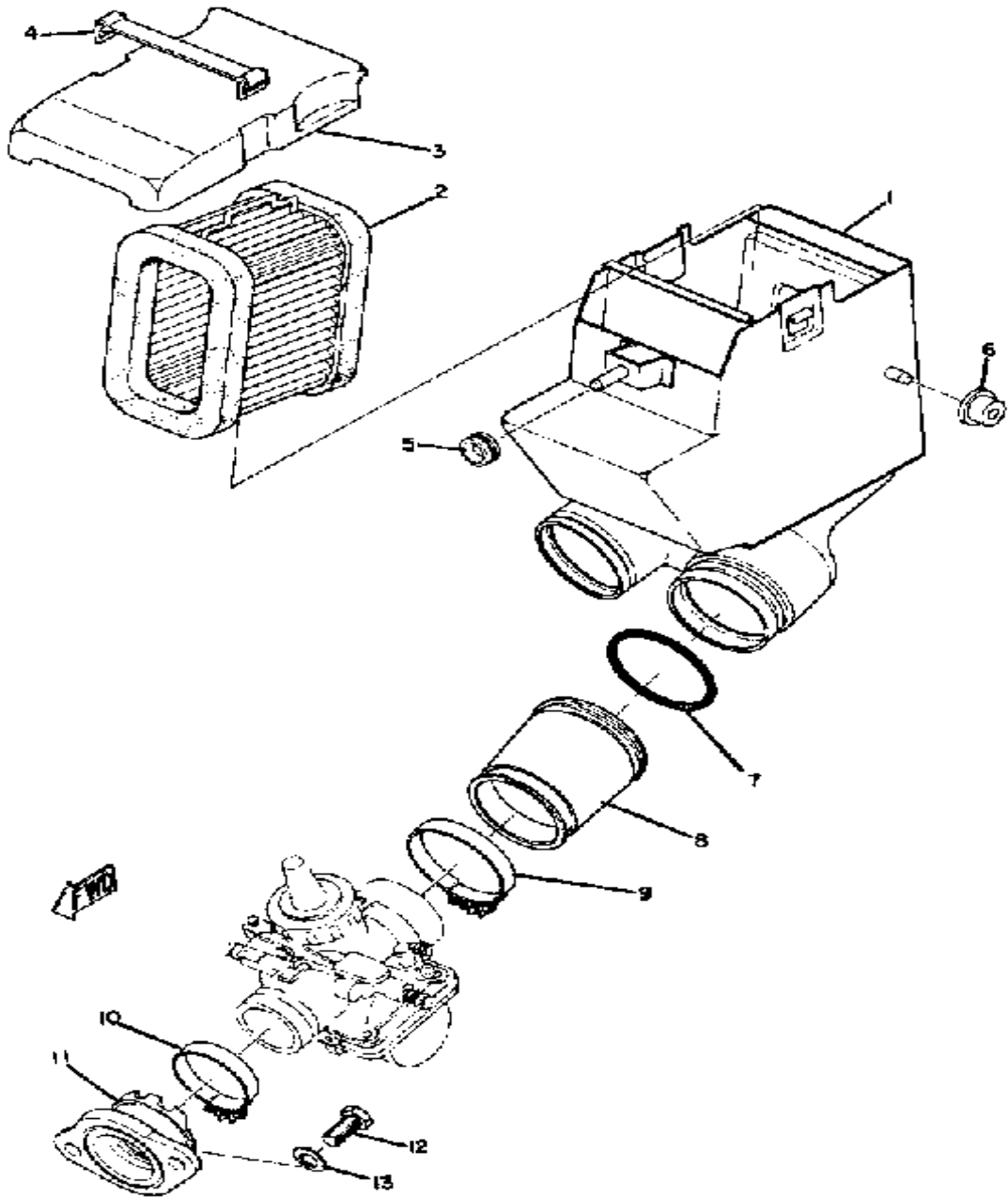
CONTINUED ON NEXT FRAME ►

OIL PUMP



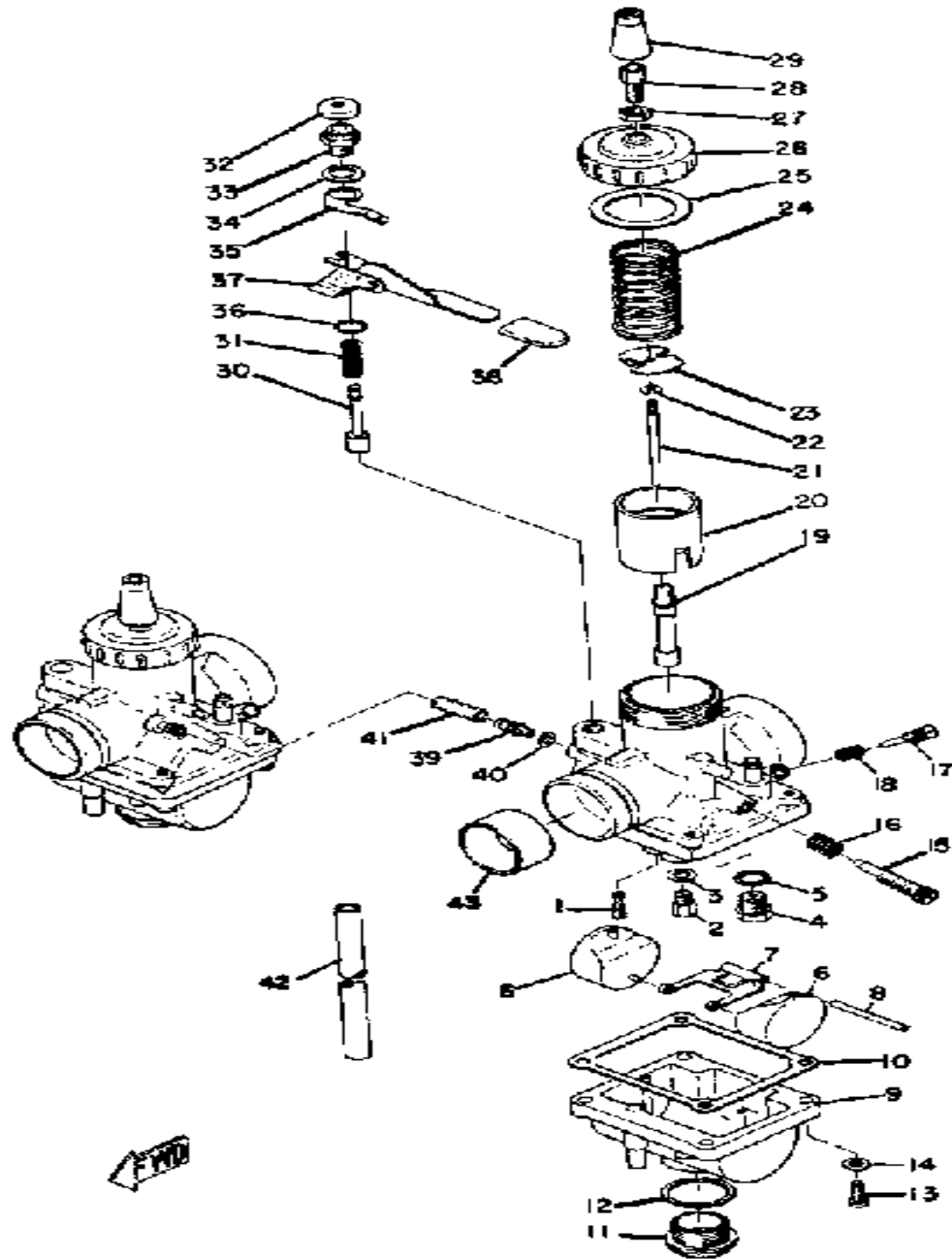
Ref. No.	Part Number	Description	Qty	Remarks
27	278-13174-00-00	HOLDER, OIL PIPE	1	
-1	(360-13101-01-00)	OIL PUMP ASSEMBLY	1	SEE TECH BULL. M8-015C
24-1	214-13162-01-00	BANJO, DLVRY PIPE	2	

AIR CLEANER



Ref. No.	Part Number	Description	Qty	Remarks
1	(278-14411-01-00)	CASE, AIR CLEANER 1	1	6475(R5C)
2	278-14451-00-00	ELEMENT, AIR CLNR	1	
3	(278-14412-01-00)	CAP, CLEANER CASE 1	1	475(R5C)
4	278-14459-00-00	HOLDER, GUIDE	1	
5	90480-10091-00	GROMMET (214-21746-00)	1	
6	278-14426-00-00	DAMPER 2	2	
7	90506-06107-00	SPRING, TENSION (278-14456-00)	2	
8	278-14453-00-00	JOINT, AIR CLNR 1	2	
9	90460-49058-00	CLAMP, HOSE	2	
10	90460-39052-00	CLAMP, HOSE	2	
11	278-13555-00-00	MANIFOLD, INTAKE	2	
12	97313-08020-00	BOLT, HEXAGON	4	
13	92990-08100-00	WASHER	4	

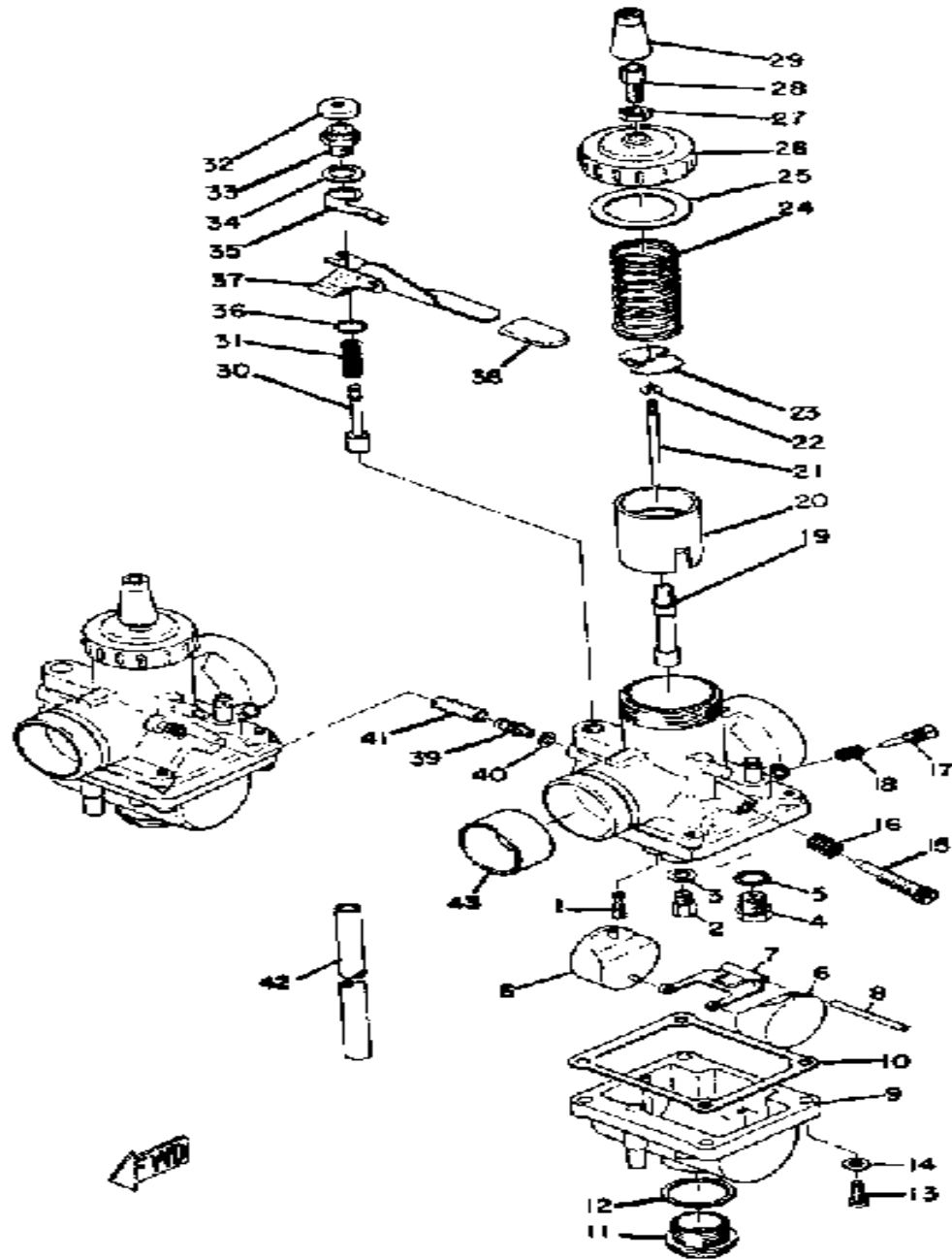
CARBURETOR



Ref. No.	Part Number	Description	Qty	Remarks
1	193-14142-30-A0	. JET, PILOT #30 (#30)	2	
	193-14142-40-A1	. JET, PILOT (# 40)	2	
2	137-14143-20-00	. JET, MAIN #1 0	2	U.R.
	137-14143-22-A0	. JET, MAIN #1 0	2	R5B)
	137-14143-24-00	. JET, MAIN #120 (#120)	2	UR STD (R5C)
	137-14143-26-A0	. JET, MAIN (#130)	2	U.R.
3	137-14153-00-00	. WASHER, MAIN JET	2	
4	168-14190-20-00	. NEEDLE VALVE ASSEMBLY	2	
5	127-14195-00-00	. WASHER, NEEDLE VALVE	2	
6	280-14185-00-00	. FLOAT	4	
7	280-14187-00-00	. ARM, FLOAT	2	
8	127-14186-00-00	. PIN, FLOAT	2	
9	(278-14181-00-00)	BODY, FLOAT CHMBR 1	1	
10	278-14184-00-00	. GASKET, FLOAT CHMBR	2	
11	(278-14115-00-00)	PLUG, SCREW	2	
12	278-14117-00-00	. WASHER, PLUG SCREW	2	
13	98503-04014-00	. SCREW, PAN HEAD	8	
14	92901-04600-00	. WASHER, PLATE	8	
15	24X-14103-00-00	. THROTTLE SCREW SET	2	
16	127-14134-00-00	. SPRING, AIR ADJUSTING	2	
17	23X-14104-00-00	. AIR SCREW SET	2	
18	137-14133-00-00	. SPRING, THRTL STOP	2	
19	(278-14141-30-00)	NOZZLE, MAIN	2	
	278-14141-34-00	. NOZZLE, MAIN	2	
20	(278-14112-20-00)	VALVE, THROTTLE 1	1	
21	168-14116-07-00	. NEEDLE (5DP7-2)	2	
22	164-14137-00-00	. CLIP	2	
23	256-14936-00-00	. SEAT, SPRING	2	

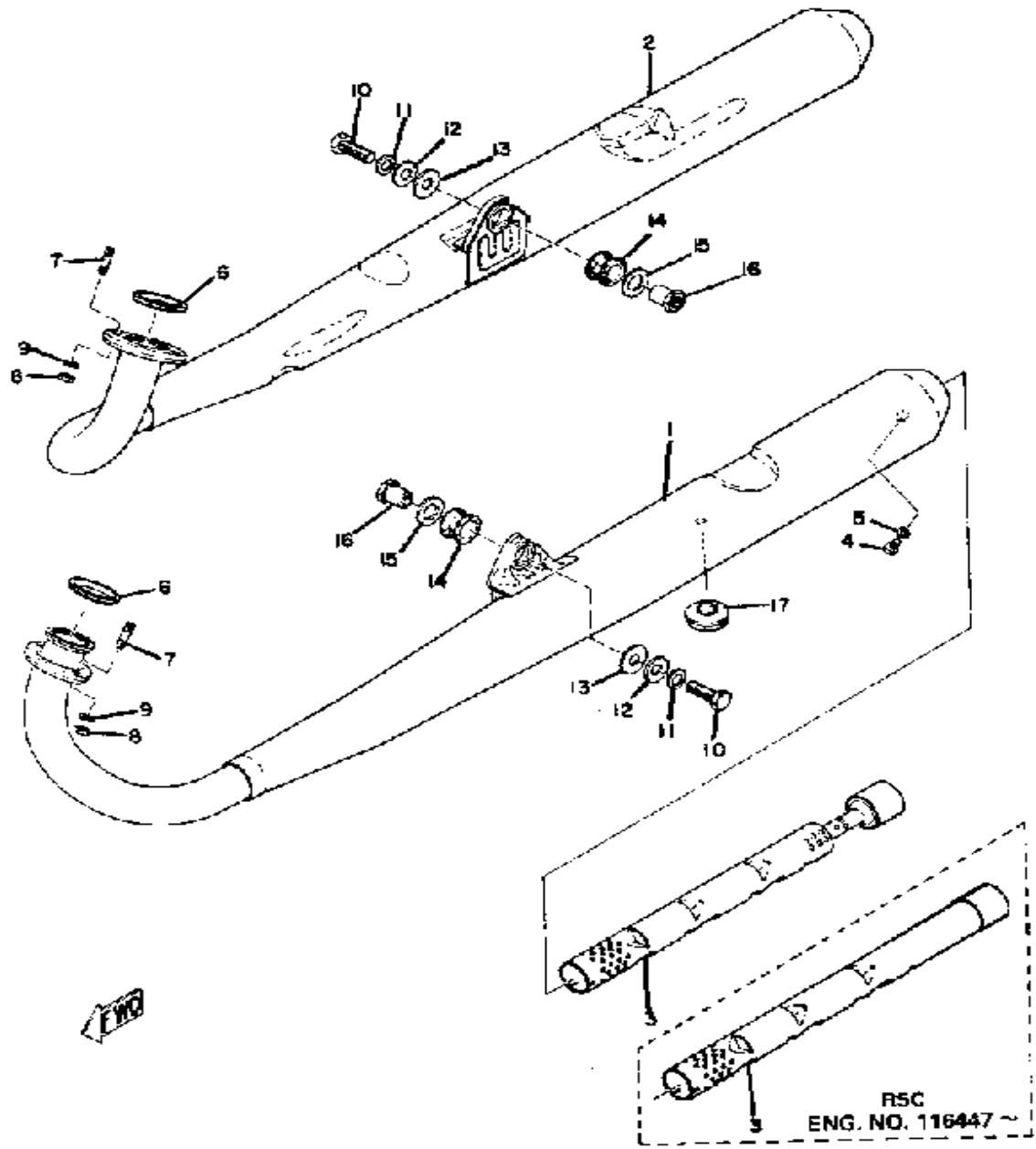
CONTINUED ON NEXT FRAME ►

CARBURETOR



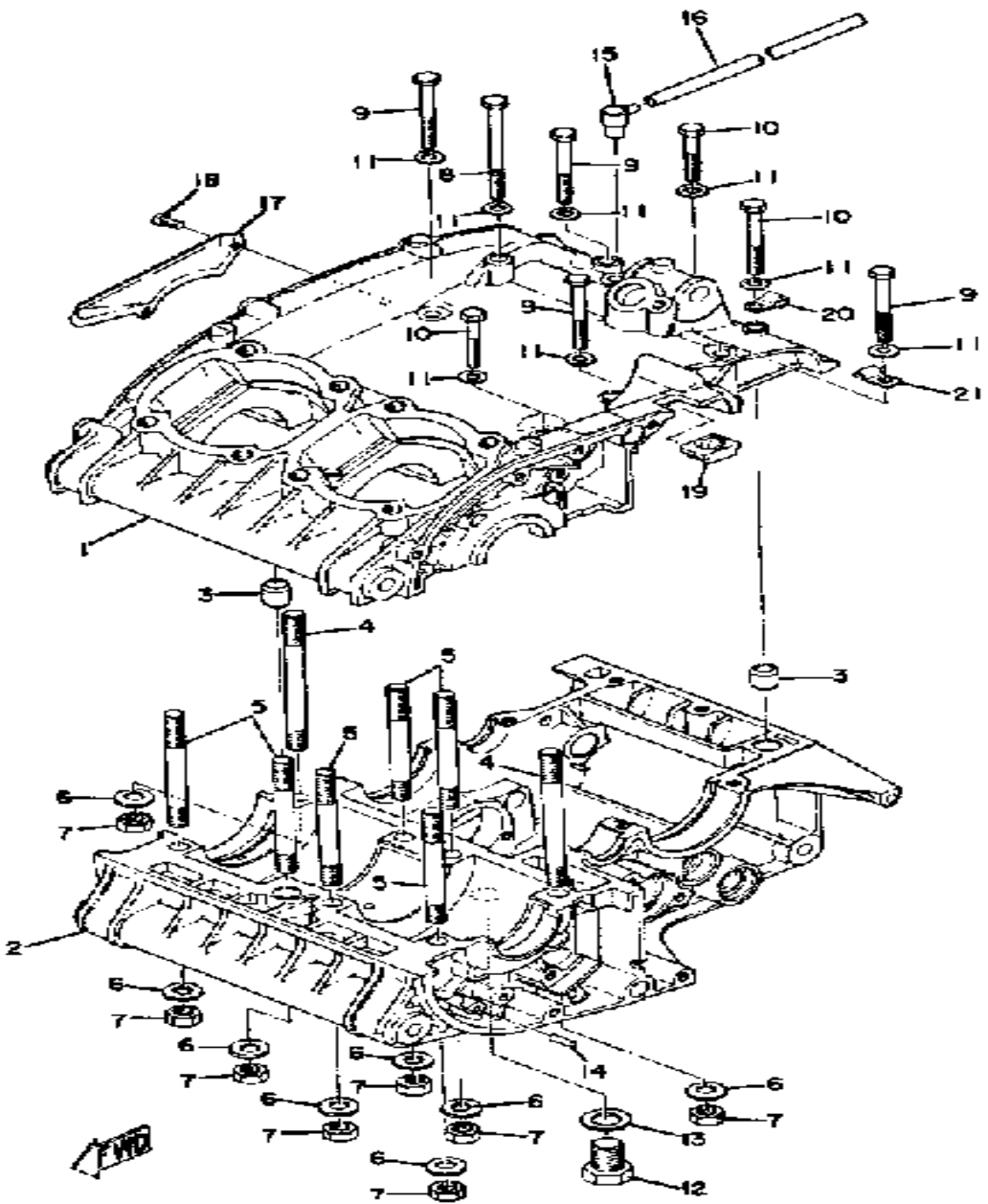
Ref. No.	Part Number	Description	Qty	Remarks
24	204-14131-00-00	. SPRING, THRTL VALVE	2	
25	246-14126-00-00	. GASKET	2	
26	802-14158-00-00	. TOP, MIXING CHAMBER	2	
27	802-14161-00-00	. NUT, CABLE ADJUSTING	2	
28	12G-14106-00-00	. CABLE ADJUST SCREW SET	2	
29	802-14169-00-00	. CAP	2	
30	278-14171-00-00	. PLUNGER, STARTER	1	
31	256-14135-00-00	. SPRING, PLUNGER	1	
32	802-14173-00-00	. COVER, PLUNGER CAP	1	
33	(278-14174-00-00)	CAP, PLUNGER	1	
34	(132-14179-00-00)	WASHER, STARTER LVR	1	
35	(170-14178-00-00)	PLATE, STARTER LVR	1	
36	93220-09001-00	. O-RING	1	
37	360-14175-00-00	. LEVER, STARTER 1	1	
38	(278-14169-00-00)	CAP	1	
39	(278-14251-00-00)	NIPPLE	1	
40	(278-14151-00-00)	WASHER, NEEDLE	1	
41	90445-09055-00	HOSE	1	
42	278-14197-00-00	PIPE	4	
43	(168-14156-00-00)	GASKET, INSULATING	2	PN340
-1	(278-14101-01-00)	CARBURETOR ASSEMBLY 1	1	
-2	(278-14102-01-00)	CARBURETOR ASSEMBLY 2	1	
9-1	(278-14183-00-00)	BODY, FLOAT CHMBR 2	1	
20-1	(278-14113-20-00)	VALVE, THROTTLE 2	1	

EXHAUST



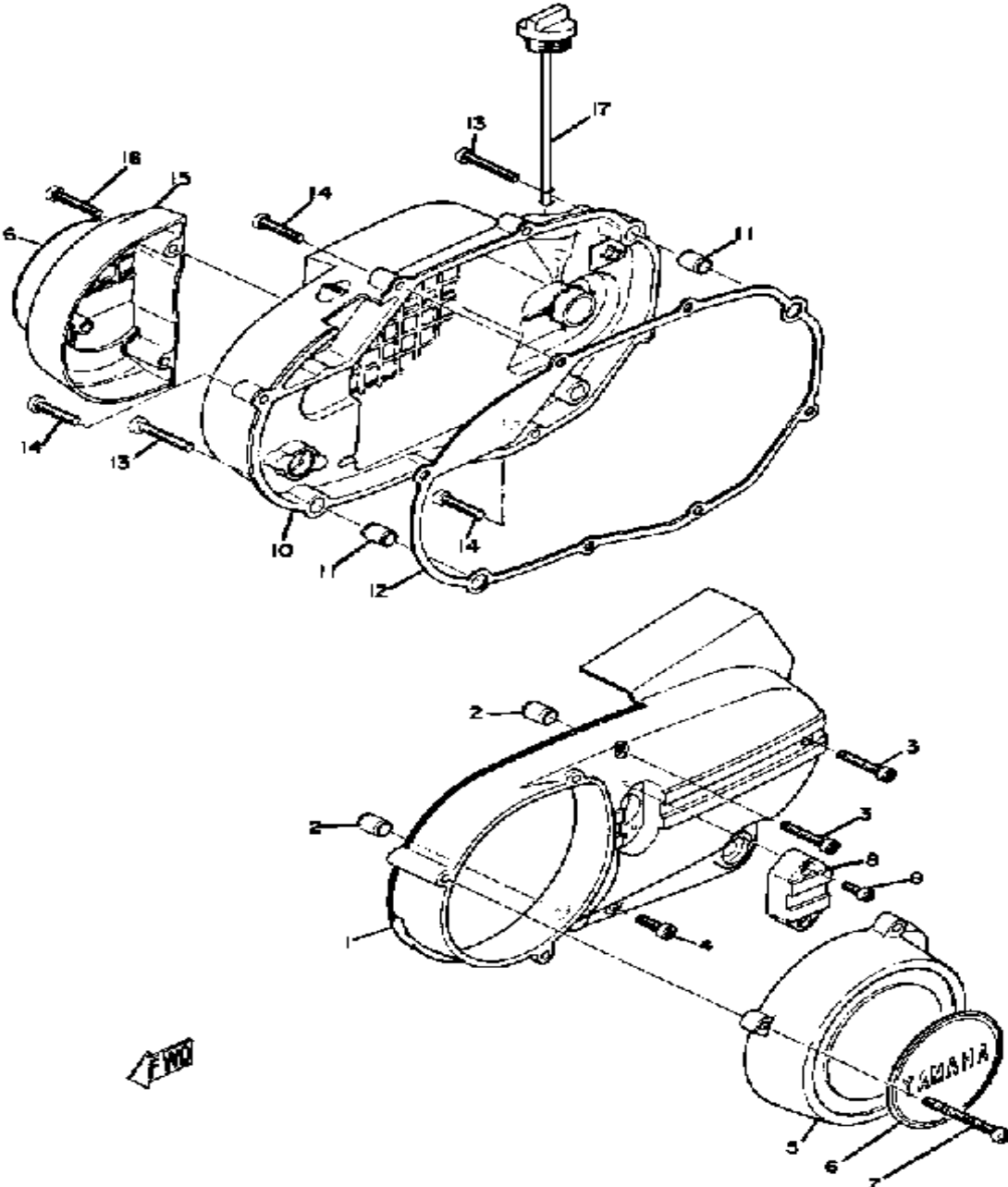
Ref. No.	Part Number	Description	Qty	Remarks
1	(278-14610-01-00)	EXHAUST PIPE ASSEMBLY L	1	
	0 1	1	
	(278-14610-01-00)	EXHAUST PIPE ASSEMBLY L	1	475(R5C)
	0 1	1	
	(278-14610-61-00)	EXHAUST PIPE ASSEMBLY L	1	
2	(278-14620-51-00)	EXHAUST PIPE ASSEMBLY R	1	4475(R5C)
	0 1	1	
	(278-14620-61-00)	EXHAUST PIPE ASSEMBLY R	1	
3	(278-14753-50-00)	. SILENCER, EXHAUST 0 2	2	
	278-14753-00-00	. SILENCER, EXHAUST	2	
4	98580-06010-00	. SCREW, PAN HEAD (92503-06010)	2	
5	92995-06100-00	. WASHER, SPRING	2	
6	152-14613-00-00	GASKET, EXST PIPE	2	
7	90116-08166-00	BOLT, STUD (246-14651-00)	4	
8	95333-08600-00	NUT, HEXAGON	4	
9	92990-08100-00	WASHER	4	
10	90101-10257-00	BOLT	2	
11	92990-10100-00	LOCKWASHER	2	
12	92990-10200-00	WASHER, PLAIN	2	
13	90201-10437-00	WASHER, PLATE	2	
14	168-21639-00-00	DAMPER 2	2	
15	90201-15239-00	WASHER, PLATE	2	
16	90179-10123-00	NUT, SPEC'L SHAPE	2	
17	278-27114-00-00	STOPPER, MAIN STAND	1	
18	1L9-24741-00-00	PAD, SEAT	1	

CRANKCASE



Ref. No.	Part Number	Description	Qty	Remarks
3	99510-12016-00	PIN, DOWEL	2	
4	90116-08232-00	BOLT, STUD	2	
5	90116-08232-00	BOLT, STUD	6	
6	92990-08200-00	WASHER, PLAIN	8	
7	95333-08600-00	NUT, HEXAGON	8	
8	(97321-06085-00)	BOLT, HEXAGON	1	
9	97313-06055-00	BOLT, HEXAGON (97322-06055)	4	
10	97313-06045-00	BOLT (97021-06045-00)	3	
11	92990-06200-00	WASHER	8	
12	90109-14385-00	BOLT	1	
13	137-15353-00-00	GASKET, DRAIN	1	
14	93603-14026-00	PIN, DOWEL	1	
15	583-15371-00-00	BREATHER	1	
16	90446-07241-00	HOSE (3AK)	1	
17	278-15492-01-00	COVER	1	
18	98580-05010-00	SCREW, PAN HEAD	2	
19	278-15441-00-00	HOLDER, CLCH CABLE	1	
20	(90462-05012-00)	CLAMP	1	
	(90462-05012-00)	CLAMP	2	
21	90462-05005-00	CLAMP	1	
-1	(278-15100-02-00)	CRANKCASE ASSEMBLY	1	

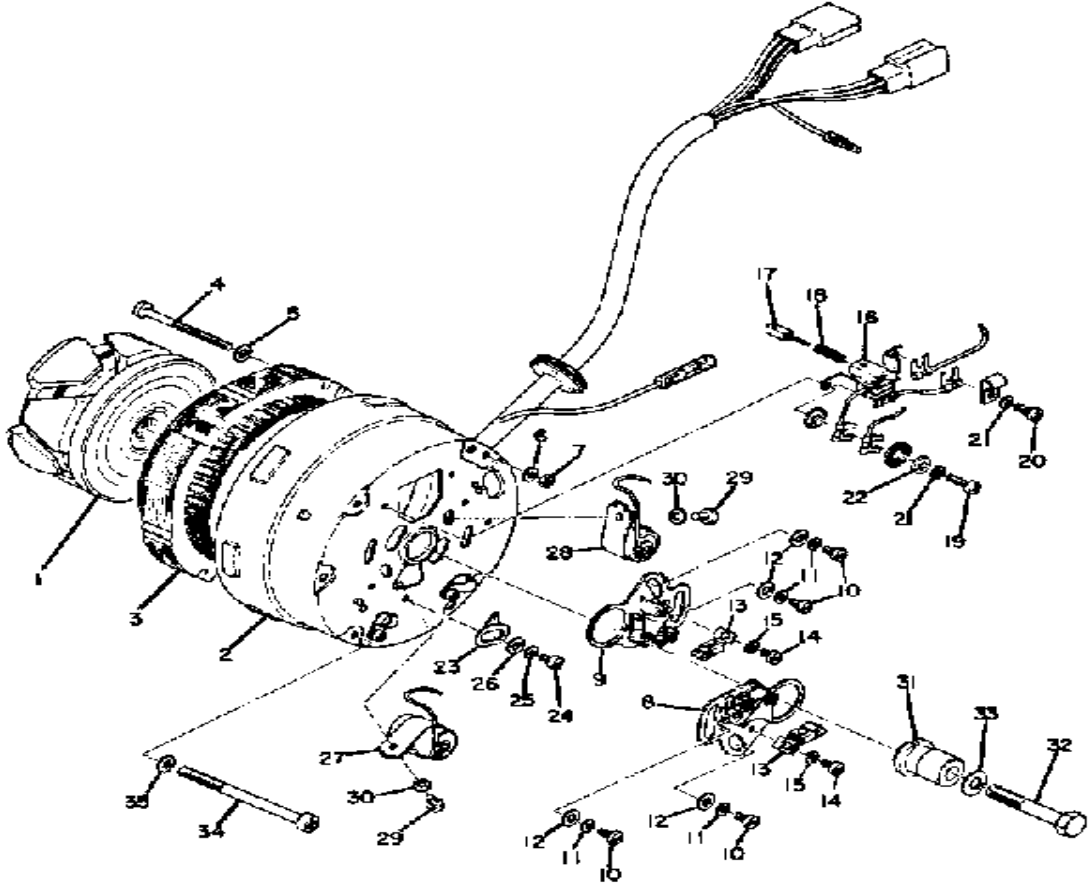
CRANKCASE COVER



Ref. No.	Part Number	Description	Qty	Remarks
1	(278-15411-00-00)	COVER, CRANKCASE L	1	
2	99510-12016-00	PIN, DOWEL	2	
3	98506-06035-00	SCREW, PAN HEAD	2	
4	98516-06020-00	SCREW, PAN HEAD	1	
5	(278-15415-00-00)	COVER, GENERATOR	1	
6	(278-15425-00-00)	COVER, GENERATOR R	2	
7	98506-06060-00	SCREW, PAN HEAD	3	
8	(278-15417-00-00)	COVER, CAP	1	
9	98506-05020-00	SCREW, PAN HEAD	2	
10	278-15421-00-00	COVER, CRANKCASE R	1	
11	99510-12016-00	PIN, DOWEL	2	
12	278-15461-02-00	GASKET, CRCS CVR 2	1	
13	98506-06040-00	SCREW, PAN HEAD	2	
14	98516-06030-00	SCREW, PAN HEAD	6	
15	278-15416-00-00	COVER, OIL PUMP	1	
16	98506-06035-00	SCREW, PAN HEAD	3	
17	278-15363-00-00	PLUG, OIL	1	

GENERATOR

Ref. No.	Part Number	Description	Qty	Remarks
1	(278-81650-20-00)	ROTOR ASSEMBLY	1	
2	(278-81610-20-00)	STATOR ASSEMBLY	1	
3	(278-81640-20-00)	ARMATURE ASSEMBLY	1	
4	1M1-84524-60-00	.. SCREW, LENS FITTING	4	
5	92990-04200-00	.. WASHER, PLAIN	4	
6	92901-04100-00	.. WASHER, SPRING	4	
7	95301-04600-00	.. NUT	4	
8	278-81621-20-00	.. CONTACT BRKR ASSEMBLY	1	
9	278-81622-20-00	.. CONTACT BRKR ASSEMBLY	1	
10	98580-04008-00	.. SCREW, PAN HEAD	4	
11	92901-04600-00	.. WASHER, PLATE	4	
12	92990-04200-00	.. WASHER, PLAIN	4	
13	(131-81231-20-00)	LUBRICATOR	2	
14	98580-04008-00	.. SCREW, PAN HEAD	2	
15	92901-04600-00	.. WASHER, PLATE	2	
16	360-81619-20-00	.. BRUSH HOLDER ASSEMBLY	1	
17	278-81611-20-00	.. BRUSH 1	2	
18	278-81617-20-00	.. SPRING, BRUSH	2	
19	98511-04012-00	.. SCREW, PAN HEAD	1	
20	98580-04008-00	.. SCREW, PAN HEAD	1	
21	92901-04600-00	.. WASHER, PLATE	2	
22	92990-04200-00	.. WASHER, PLAIN	1	
23	(278-81632-20-00)	PLATE, TIMING	1	
24	97601-04106-00	.. SCREW, PN/HD.W/WSHR ..	1	
25	92901-04600-00	.. WASHER, PLATE	1	
26	92990-04200-00	.. WASHER, PLAIN	1	
27	278-81625-90-00	.. CONDENSER 1	1	
28	278-81626-20-00	.. CONDENSER 2	1	
29	98580-04008-00	.. SCREW, PAN HEAD	2	



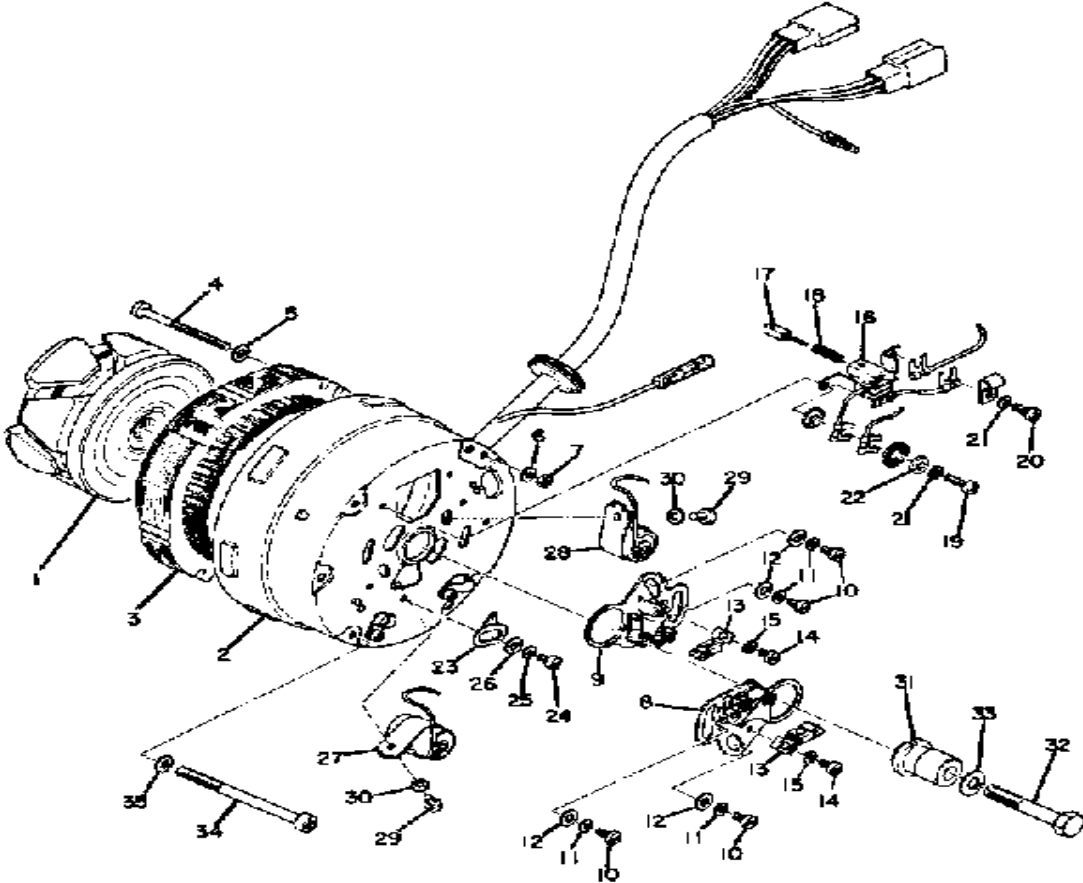
	R5	R5B
8. IGNITION TIMING B.T.O.C. (mm) Retarded		
Advanced	2.0mm ± .1	2.0mm ± .1
9. CONTACT BREAKER POINT GAP SETTING (mm) (inch)	.3-.35mm .011-.013"	.30-.40mm .012-.015"
10. SPARK PLUG AND GAP (mm)	B-9HC .5-6mm	B-9HC .5-6mm
11. VOLT. REG. ADJ. (Volt./rpm no load)	ALTERNATOR	ALTERNATOR
12. CUTOFF RELAY ADJ. (Cut in voltage)		
13. CONDENSER CAPACITY (Microfarad)	.22uF	.22uF

	R5C
8. IGNITION TIMING B.T.O.C. (MM) RETARDED	-B-
ADVANCED	2.0 ± 0.15mm
9. CONTACT BREAKER POINT GAP SETTING (MM) (INCH)	.3-.4 .012-.015
10. SPARK PLUG AND GAP (MM) (INCH)	HGK B-8HS .5-.8 .020-.024

CONTINUED ON NEXT FRAME ➤

GENERATOR

Ref. No.	Part Number	Description	Qty	Remarks
30	92901-04600-00	. . WASHER, PLATE	2	
31	278-81651-20-00	. CAM	1	
32	278-81662-20-00	. UNAVAILABLE IN PRICE BOOK	1	
33	92990-08100-00	. WASHER	1	
34	98501-05070-00	. SCREW, PAN HEAD	3	
35	92990-05100-00	. WASHER, SPRING	3	
-1	(360-81600-92-00)	AC GENERATOR ASSEMBLY	1	



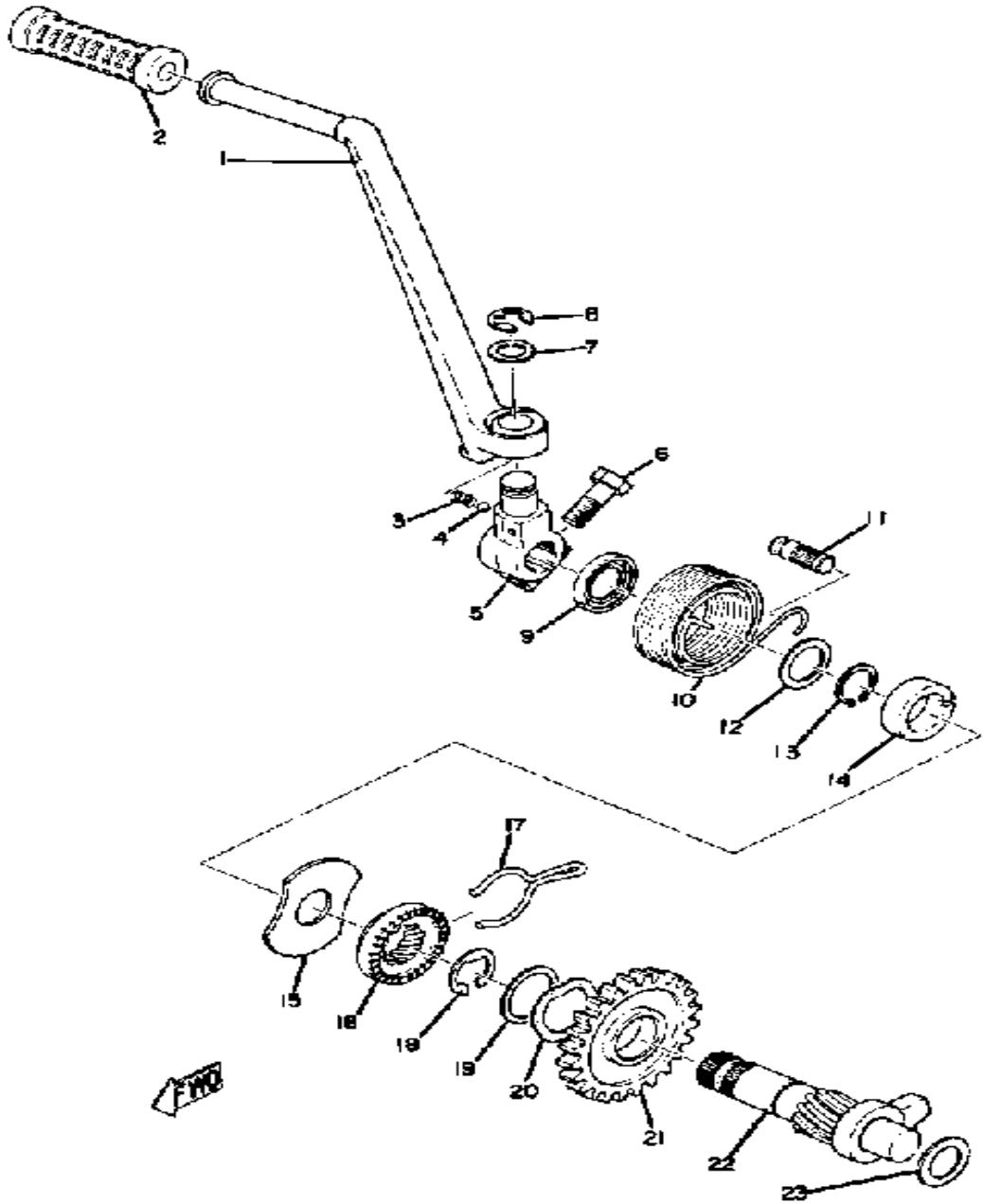
R5 R5B

	R5	R5B
8. IGNITION TIMING B.T.O.C. (mm) Retarded		
Advanced	2.0mm ± .1	2.0mm ± .1
9. CONTACT BREAKER POINT GAP SETTING (mm) (inch)	.3-.35mm .011-.013"	.30-.40mm .012-.015"
10. SPARK PLUG AND GAP (mm)	B-9HC .5-6mm	B-9HC .5-6mm
11. VOLT. REG. ADJ. (Volt/rpm-no load)	ALTERNATOR	ALTERNATOR
12. CUTOFF RELAY ADJ. (Cut in voltage)		
13. CONDENSER CAPACITY (Microfarad)	.22uF	.22uF

R5C

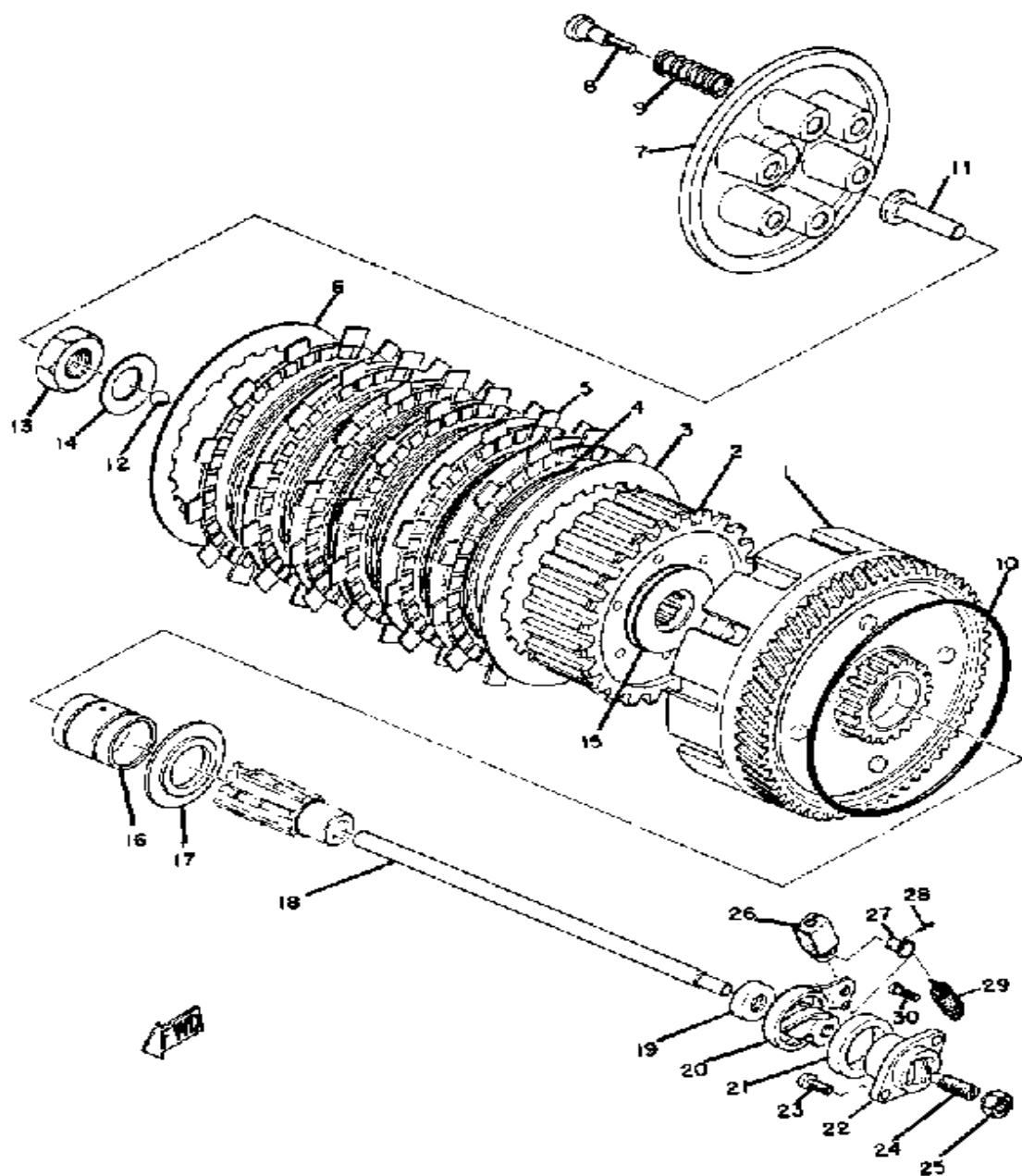
	R5C
8. IGNITION TIMING B.T.O.C. (MM) RETARDED	-B-
Advanced	2.0 ± 0.15mm
9. CONTACT BREAKER POINT GAP SETTING (MM) (INCH)	.3-.4 .012-.015
10. SPARK PLUG AND GAP (MM) (INCH)	HGK B-8HS .5-6.020-.024

STARTER



Ref. No.	Part Number	Description	Qty	Remarks
1	2F3-15611-00-93	CRANK, KICK	1	
2	156-15618-01-00	COVER, KICK LEVER	1	
3	90501-12081-00	SPRING, COMPRESSION	1	
4	93507-32031-00	BALL	1	
5	583-15621-00-00	BOSS, KICK CRANK	1	
	97313-08030-00	BOLT, HEXAGON	1	
7	90201-15234-00	WASHER, PLATE	1	
8	99006-10600-00	CIRCLIP	1	
9	93104-20007-00	OIL SEAL, SO-TYPE	1	
10	90508-30051-00	SPRING, TORSION	1	
11	248-15668-00-00	STOPPER	1	
12	90201-20266-00	WASHER, PLATE (1.0T)	1	
13	99009-20400-00	CIRCLIP	1	
14	278-15666-00-00	SPACER (278-15666-01)	1	
15	278-15676-00-00	COVER, SPRING	1	
16	278-15671-01-00	WHEEL, RATCHET	1	
17	90468-26045-00	CLIP (256-15687-00)	1	
18	93440-25084-00	CIRCLIP	1	
19	90201-25490-00	WASHER, PLATE	1	
20	(90206-25029-00)	WASHER, WAVE	1	
21	278-15641-01-00	GEAR, KICK	1	
22	278-15660-01-00	KICK AXLE ASSEMBLY	1	7675(R6C)
23	136-17417-00-10	SHIM 1	1	

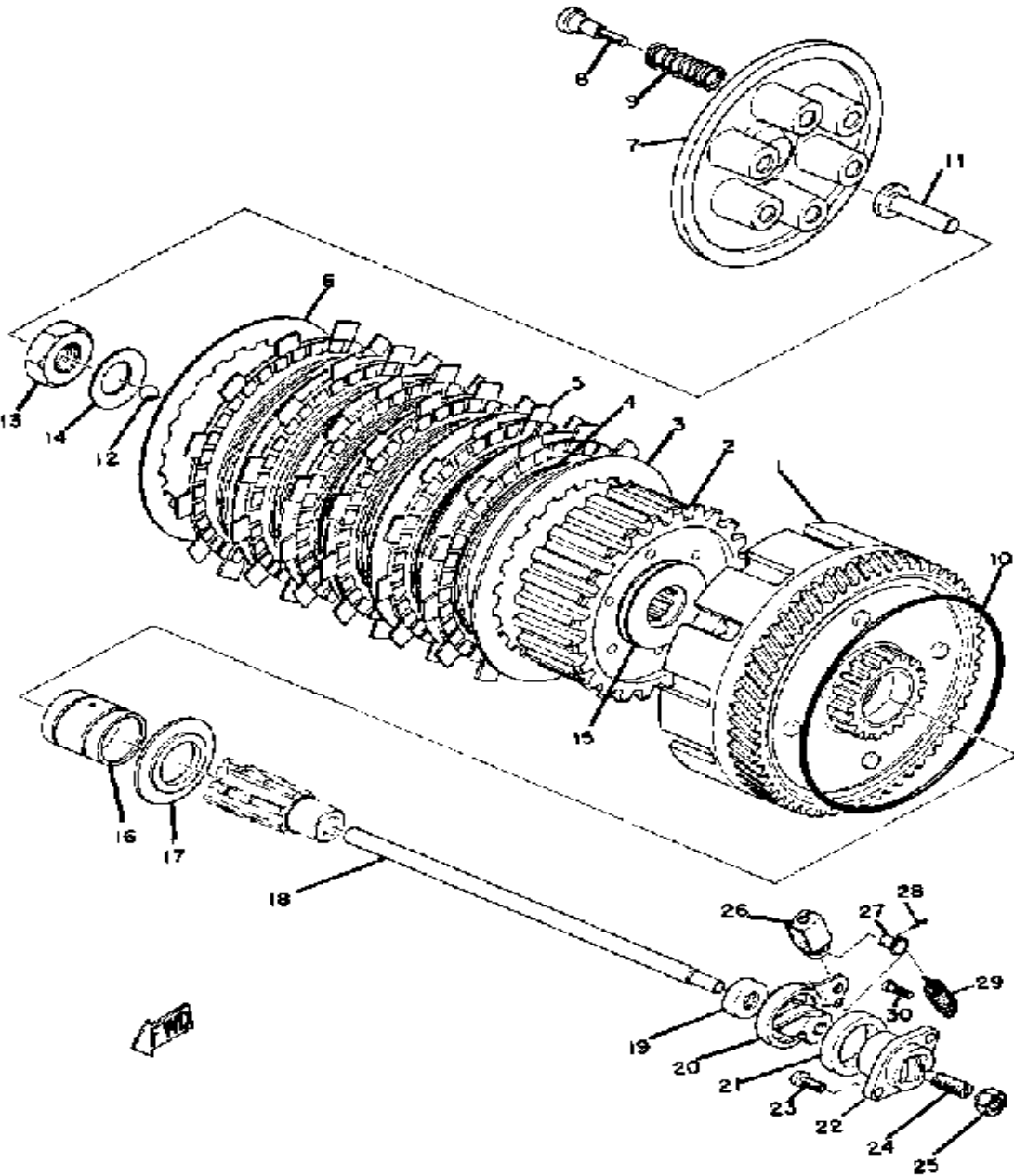
CLUTCH



Ref. No.	Part Number	Description	Qty	Remarks
1	(278-16150-02-00)	PRI DRVN GEAR	1	
2	360-16370-00-00	. CLUTCH BOSS ASSEMBLY 0 1 .	1	PN363
3	214-16324-00-00	. PLATE, CLUTCH 1	1	
4	168-16367-00-00	. RING, CUSHION	7	PN363
5	168-16321-10-00	. PLATE, FRICTION	7	PN363
6	360-16325-00-00	. PLATE, CLUTCH 2	7	PN363
7	214-16351-00-00	. PLATE, PRESSURE 1	1	
8	(90149-05147-00)	SCREW, SPECL SHAPE	6	
9	90501-20361-00	. SPRING, COMPRESSION	6	
10	(93211-20102-00)	O-RING	1	
	93211-15149-00	. O-RING	1	F/0189165
11	174-16356-00-00	ROD, PUSH 1	1	
12	93505-16006-00	BALL	1	
13	90170-18089-00	NUT, HEXAGON	1	
14	214-16119-00-00	SPRING, BELLEVILLE	1	
15	170-16164-00-00	PLATE, THRUST 2	1	
16	278-16181-01-00	SPACER 1	1	F/0024515
17	(278-16154-00-00)	PLATE, THRUST 1	1	
18	237-16357-01-00	ROD, PUSH 2	1	
19	93109-08061-00	OIL SEAL	1	
20	278-16340-00-00	PUSH LEVER ASSEMBLY	1	
21	214-16347-01-00	SEAL, DUST	1	
22	371-16396-00-00	HOUSING, PUSH SCREW	1	
23	98580-05012-00	SCREW, PAN HEAD	2	
24	90113-08021-00	BOLT, SET	1	
25	90179-08179-00	NUT	1	
26	214-16389-00-00	JOINT	1	
27	90240-06005-00	PIN, CLEVIS	1	
28	91401-10015-00	PIN, COTTER	1	

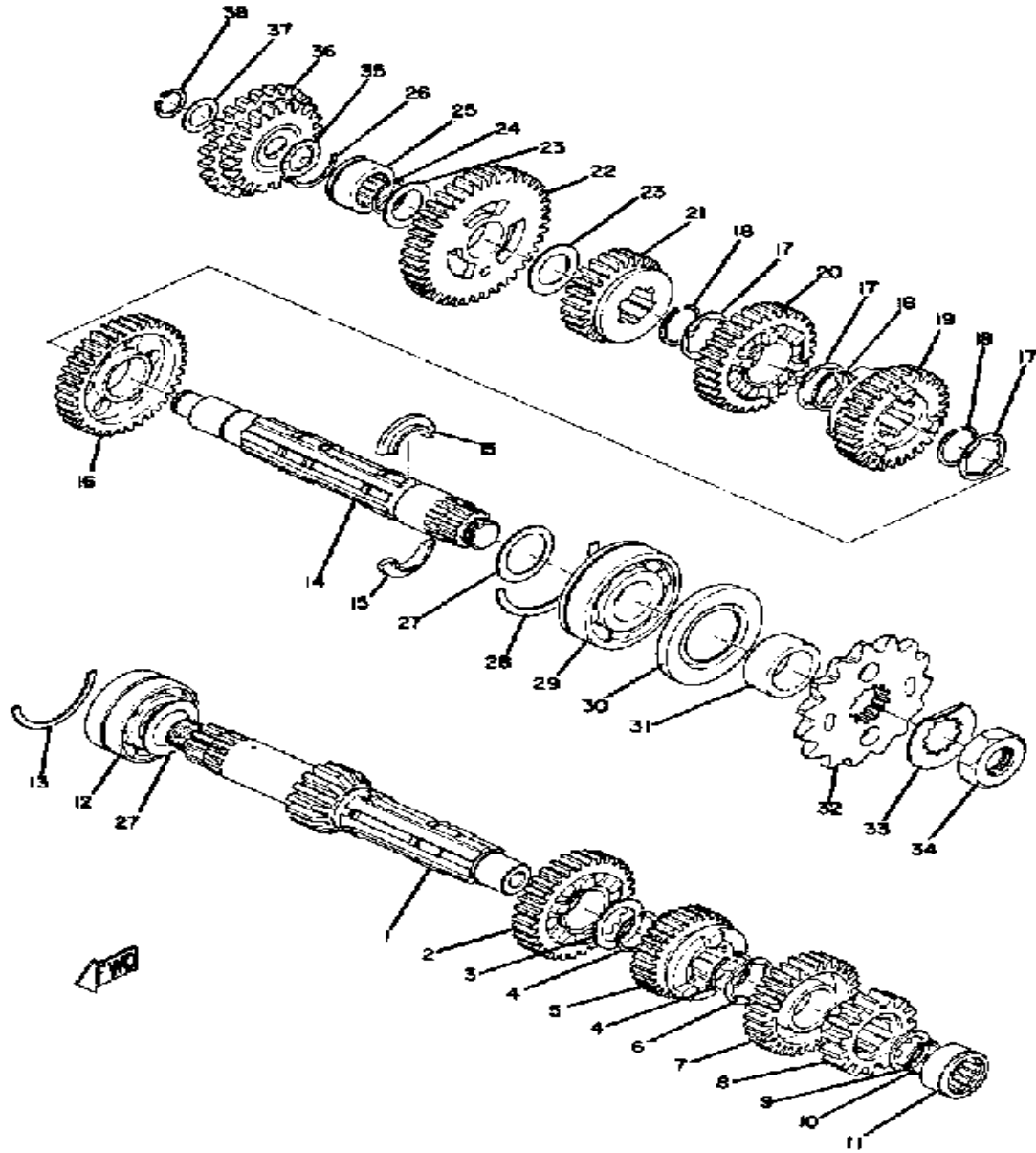
CONTINUED ON NEXT FRAME ►

CLUTCH



Ref. No.	Part Number	Description	Qty	Remarks
29	90506-10023-00	SPRING, TENSION	1	
30	132-16346-00-00	HOOK, SPRING	1	
-1	(278-16301-00-00)	CLUTCH ASSEMBLY	1	

TRANSMISSION

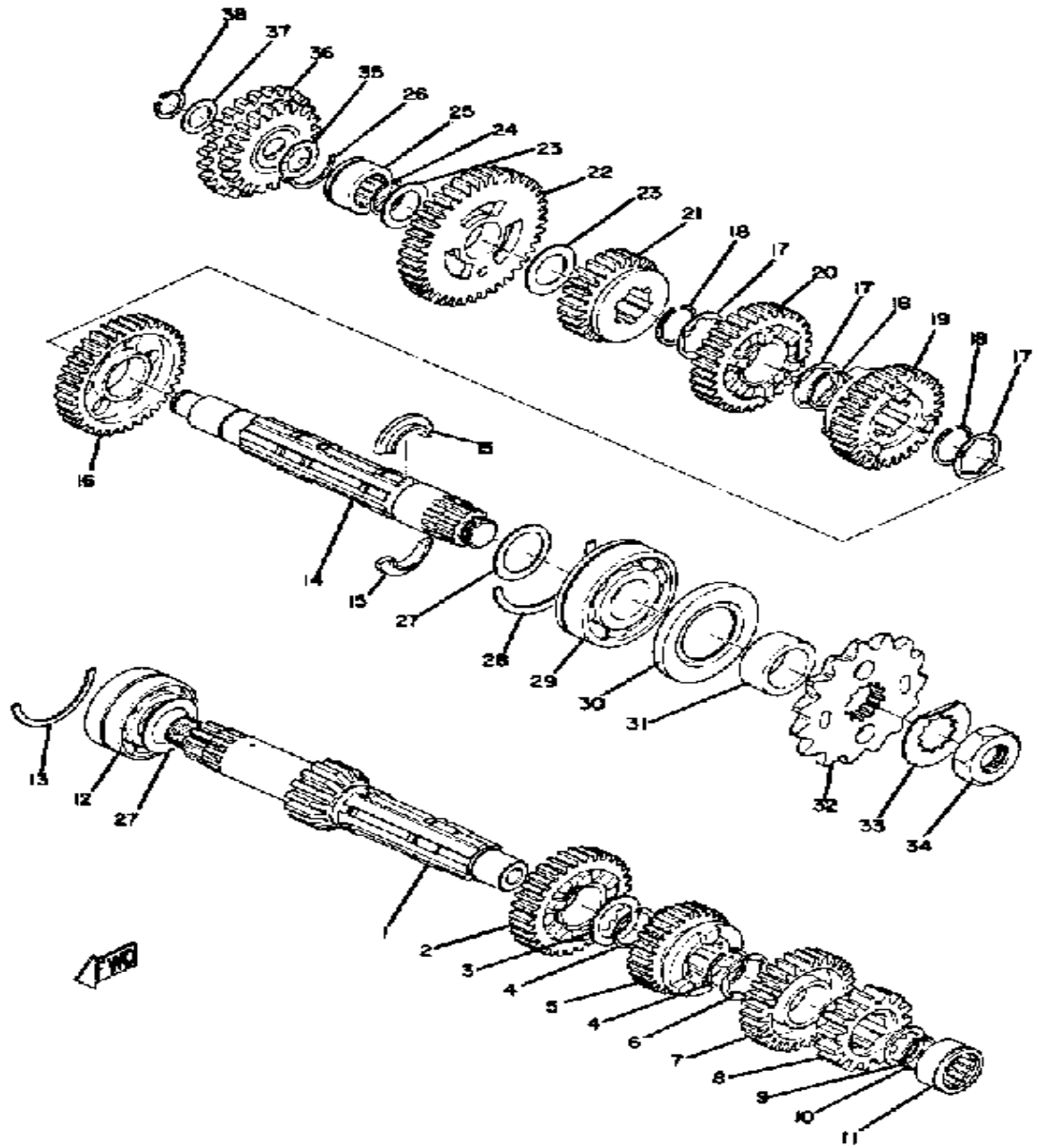


Ref. No.	Part Number	Description	Qty	Remarks
1	(278-17411-00-00)	AXLE, MAIN	1	
2	(278-17151-00-00)	GEAR, 5TH PINION	1	
3	90201-25490-00	WASHER, PLATE	1	
4	93440-25084-00	CIRCLIP	2	
5	(278-17131-00-00)	GEAR, 3RD PINION	1	
6	(90209-21081-00)	WASHER, SPEC'L SHAP	1	
	90209-21106-00	WASHER, SPEC'L SHAP	1	
7	(278-17141-00-00)	GEAR, 4TH PINION	1	
8	(278-17121-00-00)	GEAR, 2ND PINION	1	
9	90201-20266-00	WASHER, PLATE (1.0T)	1	
10	99009-20400-00	CIRCLIP	1	
11	93311-22027-00	BEARING, CYLINDRICAL	1	
12	93305-20502-00	BEARING (93305-20508-00)	1	
13	(278-17414-09-00)	CLIP	1	5F/111054
	278-17414-00-00	CLIP	1	
14	(278-17421-00-00)	AXLE, DRIVE	1	
15	156-17429-00-00	SPACER, DRIVE AXLE	2	
16	(278-17221-00-00)	GEAR, 2ND WHEEL	1	
17	(90209-21081-00)	WASHER, SPEC'L SHAP	3	
	90209-21106-00	WASHER, SPEC'L SHAP	3	
18	93440-25084-00	CIRCLIP	3	
19	(278-17241-00-00)	GEAR, 4TH WHEEL	1	
20	(278-17151-00-00)	GEAR, 5TH PINION	1	
21	(278-17251-00-00)	GEAR, 5TH WHEEL	1	
22	(278-17211-00-00)	GEAR, 1ST WHEEL	1	
23	90201-20278-00	WASHER, PLATE	2	
24	99009-20400-00	CIRCLIP	1	
25	93311-42045-00	BEARING (20NG3315NE)	1	
26	278-17425-00-00	CIRCLIP 2	1	

	R5			R5B		
17. PRIMARY REDUCTION RATIO & METHOD	66/23	2.869	gear	66/23	2.869	gear
18. SECONDARY REDUCTION RATIO & METHOD	40/15	2.666	chain	40/15	2.666	chain
19. TRANS. GEAR RATIOS 1st (Internal) (No. teeth) (Overall)	2.562	41/16	19.625	2.562	41/16	19.61
2nd	1.590	35/22	12.179	1.590	35/22	12.17
3rd	1.192	31/26	9.131	1.192	31/26	9.12
4th	.965	28/29	6.932	.965	28/29	7.39
5th	.806	25/31	6.174	.806	25/31	6.17

CONTINUED ON NEXT FRAME ➤

TRANSMISSION

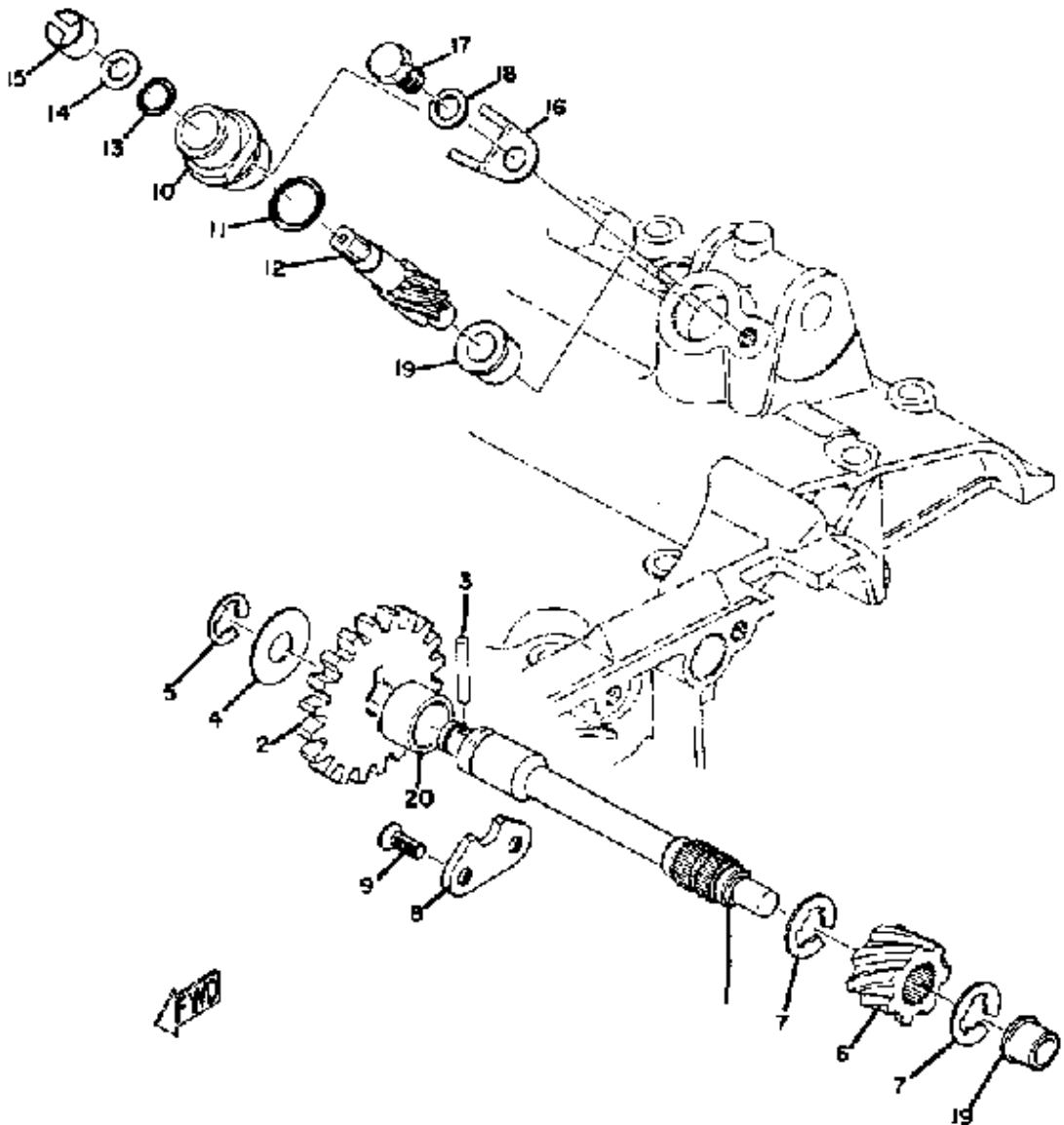


Ref. No.	Part Number	Description	Qty	Remarks
27	168-17428-01-03	SHIM 2 (25-34-0.3)	1	
	168-17428-01-05	SHIM 2 (25-34-0.5)	1	
28	278-17424-01-00	CIRCLIP 1	1	
29	93306-30506-00	BEARING (B6305N) (93306-30504-00)	1	
30	93102-35109-00	OIL SEAL (SD-35-62-6 HS)	1	
31	90387-25192-00	COLLAR	1	
32	9384E-15155-00	SPROCKET DRIVE (15T)	1	STD
33	90215-21022-00	WASHER, LOCK	1	
34	90179-18020-00	NUT	1	
35	90206-15021-00	WASHER, WAVE	1	
36	(278-15650-00-00)	IDLE GEAR ASSEMBLY	1	
37	164-17417-00-10	SHIM 1 (1.0T)	1	
38	99009-15400-00	CIRCLIP	1	

R5 R5B

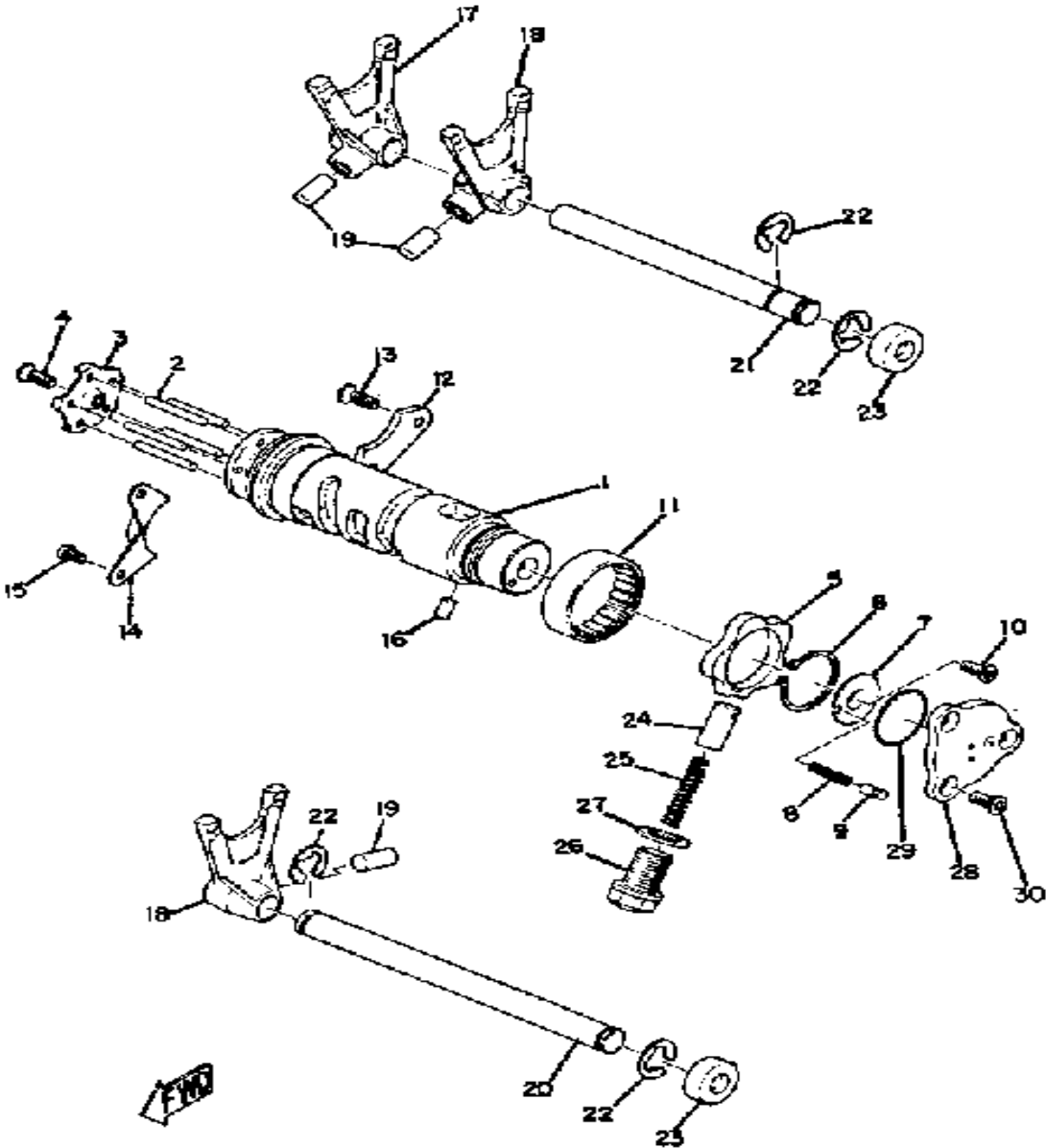
17. PRIMARY REDUCTION RATIO & METHOD	66/23	2.869	gear	66/23	2.869	gear
18. SECONDARY REDUCTION RATIO & METHOD	40/15	2.666	chain	40/15	2.666	chain
19. TRANS. GEAR RATIOS 1st (Internal) (No. teeth) (Overall)	2.562	41/16	19.625	2.562	41/16	19.61
2nd	1.590	35/22	12.179	1.590	35/22	12.17
3rd	1.192	31/26	9.131	1.192	31/26	9.12
4th	.965	28/29	6.932	.965	28/29	7.39
5th	.806	25/31	6.174	.806	25/31	6.17

TACHOMETER GEAR



Ref. No.	Part Number	Description	Qty	Remarks
1	(278-17861-00-00)	AXLE, DRIVE GEAR	1	
2	278-17851-00-00	GEAR, PRIMARY (20T)	1	
3	93603-22028-00	PIN, DOWEL	1	
4	90201-105J4-00	WASHER, PLATE (90201-106H1)	1	
5	99001-08600-00	CIRCLIP	1	
6	(278-17831-00-00)	GEAR, DRIVE	1	
7	99006-10600-00	CIRCLIP	2	
8	(278-17812-00-00)	STOPPER	1	
9	98701-05012-00	SCREW, FLAT HEAD	2	
10	353-17810-00-00	HOUSING ASSEMBLY, TACH (214-17811-01)	1	
11	93210-13016-00	O-RING	1	
12	214-17841-01-00	GEAR, DRIVEN	1	
13	93210-07100-00	O-RING	1	
14	214-17847-00-00	SHIM (7.5-10.8-0.4)	1	
15	90383-10005-00	BUSH, FORMED (214-17815-00) 01	1	
16	5U7-17812-00-00	STOPPER	1	
17	97011-06010-00	BOLT	1	
18	92995-06100-00	WASHER, SPRING	1	
19	90381-08002-00	BUSHING (214-17843-00)	2	
20	(90380-14040-00)	BUSH, SOLID	1	

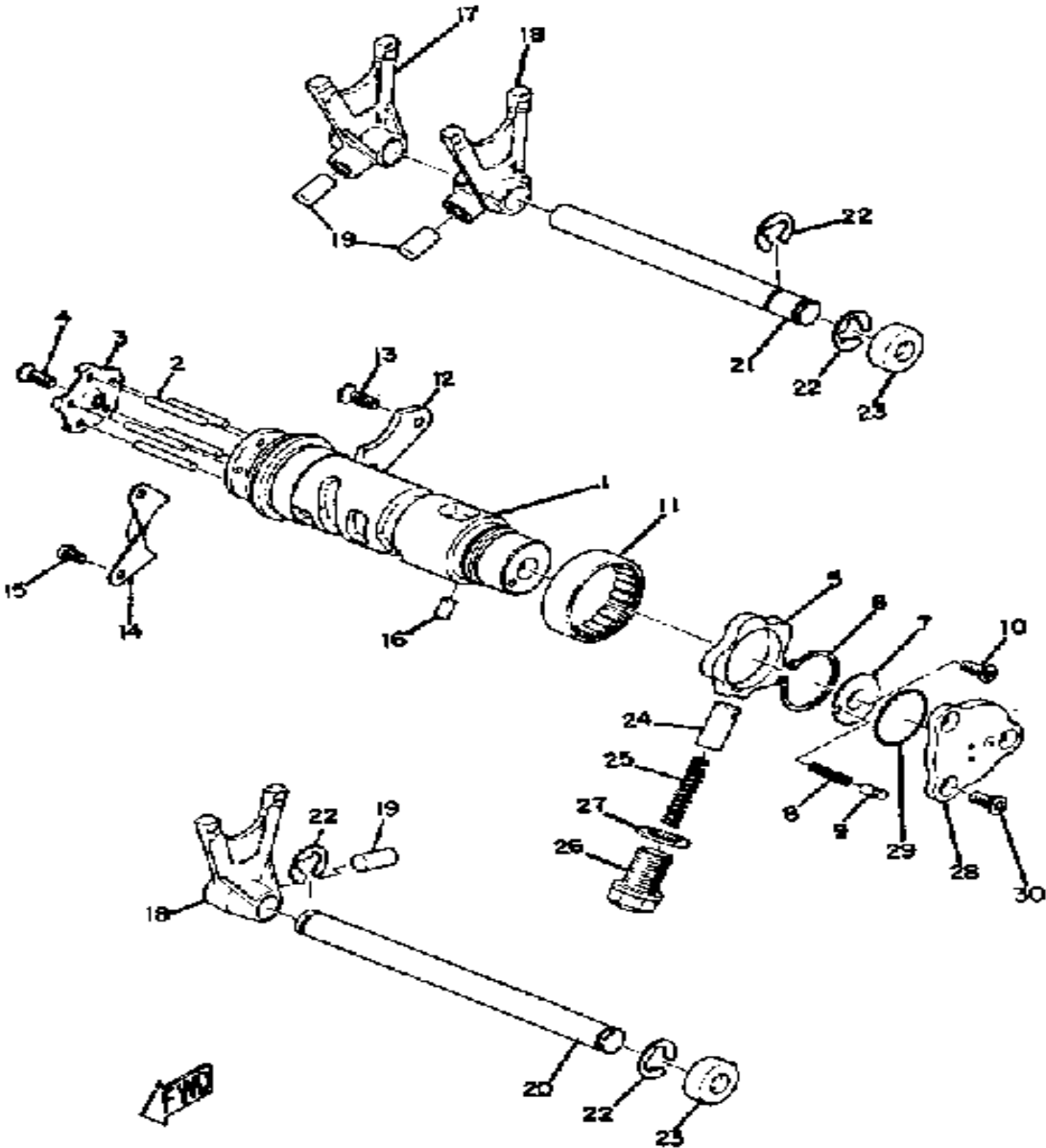
SHIFT CAM - FORK



Ref. No.	Part Number	Description	Qty	Remarks
1	(278-18541-00-00)	CAM, SHIFT	1	
2	93604-22050-00	PIN, DOWEL	5	
3	(278-18561-00-00)	PLATE, SIDE 1	1	
4	98701-05012-00	SCREW, FLAT HEAD	1	
5	(278-18141-00-00)	PLATE, STOPPER	1	
6	99009-30400-00	CIRCLIP	1	
7	278-18566-00-00	PLATE, SIDE 2	1	
8	90501-06022-00	SPRING, COMPRESSION	1	
9	278-18542-00-00	POINT, NEUTRAL	1	
10	98701-05012-00	SCREW, FLAT HEAD	1	
11	93315-23612-00	BEARING	1	
12	(278-18562-00-00)	PLATE, STOPPER 2	1	
13	98701-06014-00	SCREW, FLAT HEAD	2	
14	(278-18179-00-00)	GUIDE	1	
15	98580-05010-00	SCREW, PAN HEAD	2	
16	93604-08071-00	PIN, DOWEL	1	
17	278-18511-00-00	FORK, SHIFT 1	1	
18	278-18512-00-00	FORK, SHIFT 2	2	
19	90250-08017-00	PIN, STRAIGHT	3	
20	278-18531-00-00	BAR, SHIF FRK GDE 1	1	
21	(278-18535-00-00)	BAR, SHIF FRK GDE 2	1	
22	99006-10600-00	CIRCLIP	4	
23	90338-22021-00	PLUG, SPEC'L SHAPE (371-18149-00)	2	
24	(278-18547-00-00)	STOPPER, CAM	1	
	278-18547-02-00	STOPPER, CAM	1	
25	90501-10062-00	SPRING, COMPRESSION	1	
26	90109-14485-00	BOLT	1	F/0334755
27	137-15353-00-00	GASKET, DRAIN	1	

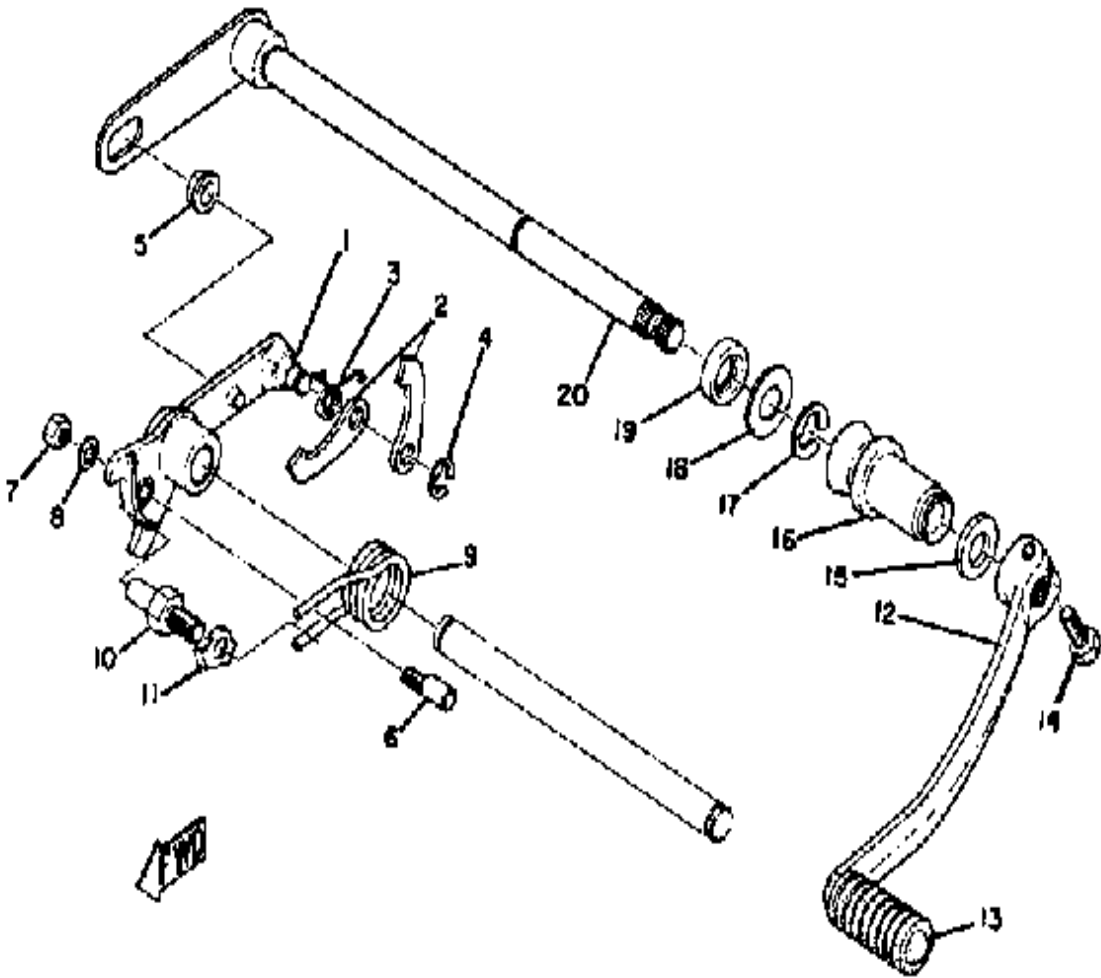
CONTINUED ON NEXT FRAME ►

SHIFT CAM - FORK



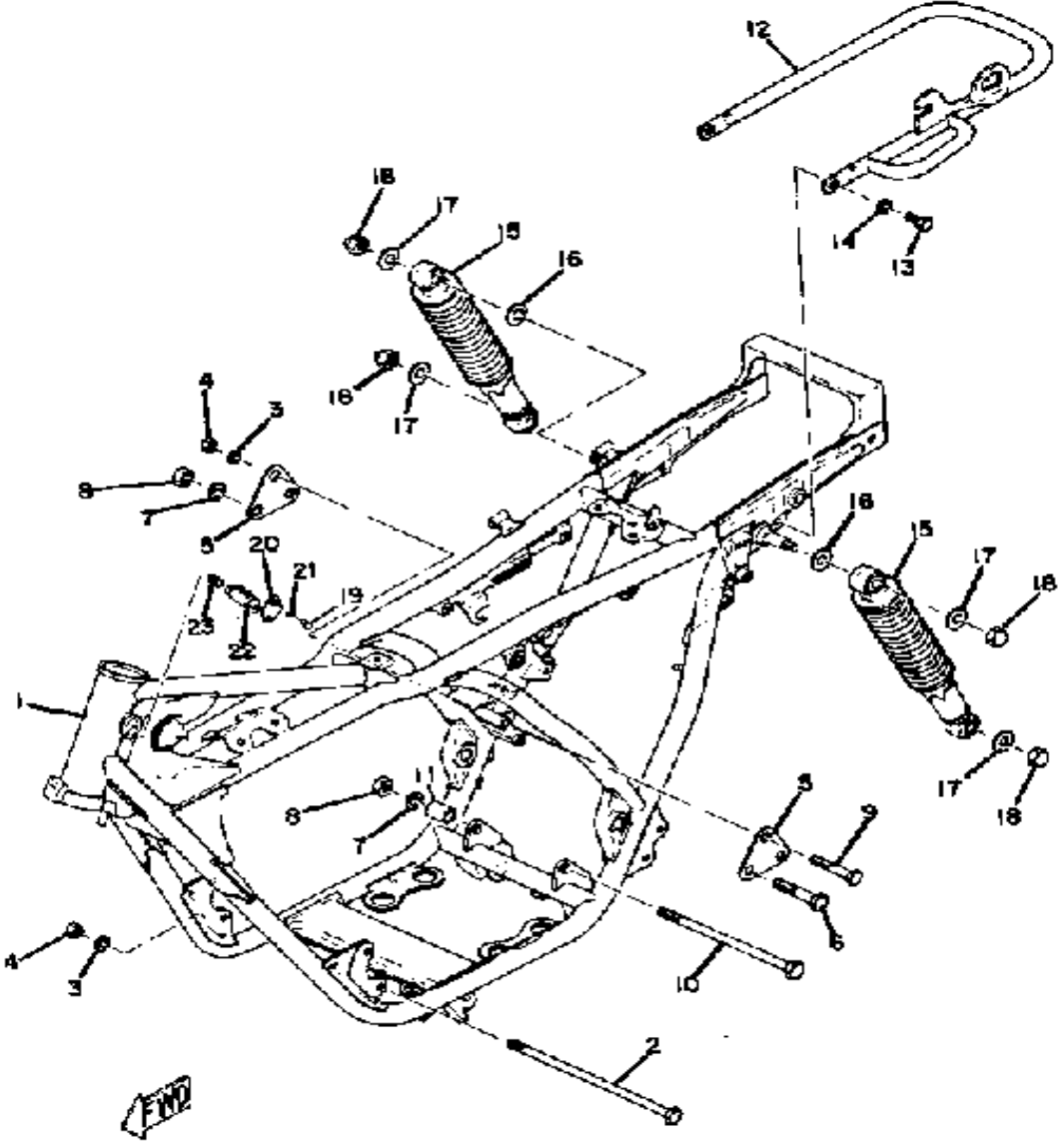
Ref. No.	Part Number	Description	Qty	Remarks
28	1L9-82540-00-00	NEUTRAL SWITCH ASSEMBLY	1	F/0191915
29	93210-29147-00	O-RING	1	
	93210-31114-00	O-RING	1	
30	98701-05012-00	SCREW, FLAT HEAD	3	

SHIFT SHAFT



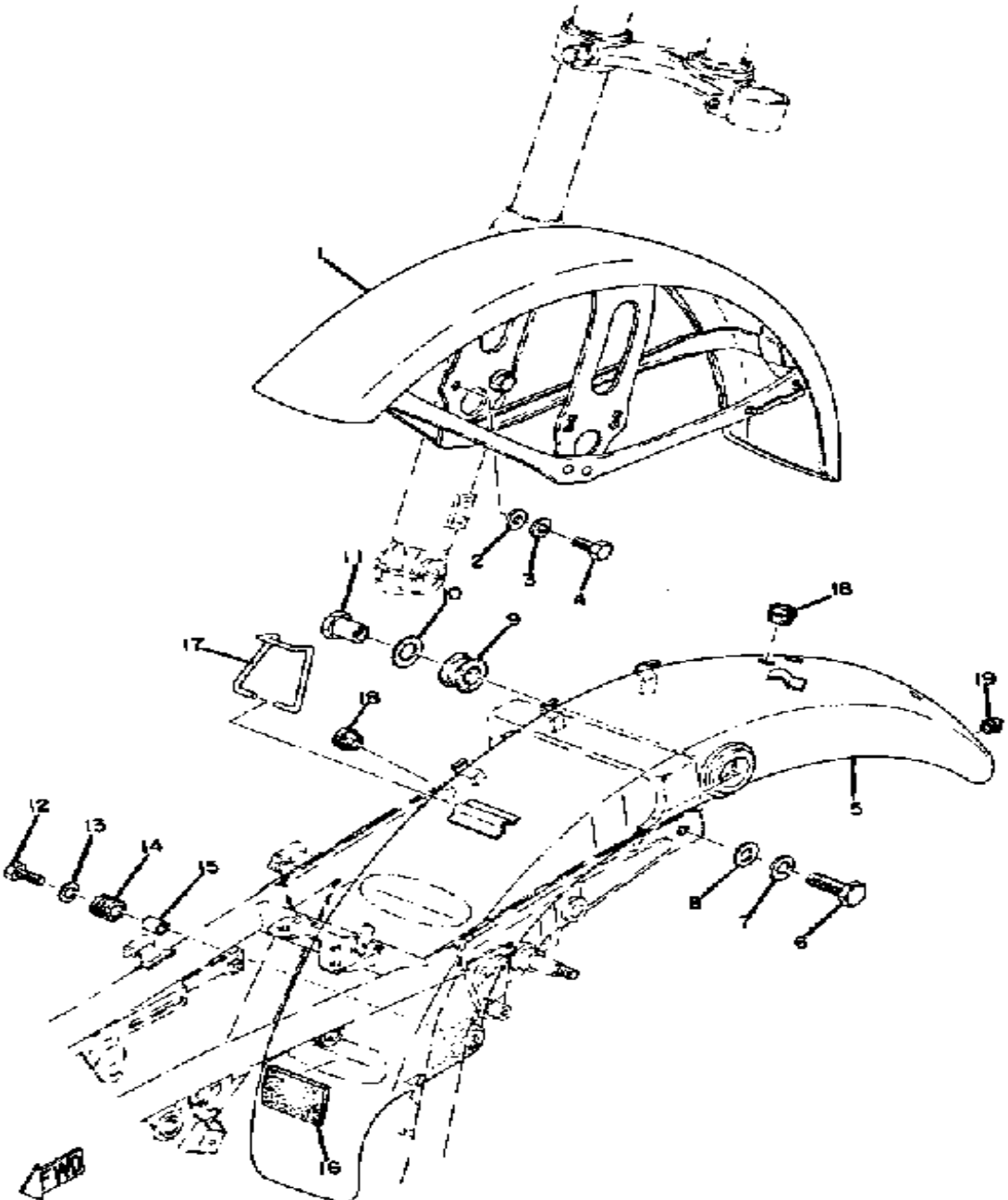
Ref. No.	Part Number	Description	Qty	Remarks
1	328-18128-00-00	BRACKET	1	
2	(278-18151-00-00)	LEVER, SHIFT 3	2	
3	90508-08007-00	SPRING, TORSION (214-18123-00)	1	
4	99080-07600-00	CIRCLIP (E)	1	
5	214-18178-00-00	ROLLER, SHIFT LEVER	1	
6	90149-06017-00	SCREW, SPEC'L SHAPE (214-18186-00)	1	
7	95380-06600-00	NUT	1	
8	92995-06100-00	WASHER, SPRING	1	
9	90508-32055-00	SPRING, TORSION	1	
10	278-18127-00-00	STOPPER, SCREW	1	
11	90215-08015-00	WASHER, LOCK (214-18139-00)	1	
12	278-18111-00-93	PEDAL, SHIFT	1	
13	132-18112-01-00	UNAVAILABLE IN PRICE BOOK	1	
14	97313-06020-00	BOLT, HEXAGON	1	
15	170-18132-00-00	SEAL, SHIFT SHAFT	1	7095 (R5C)
16	278-18131-00-00	BOOT, SEALING	1	
17	99009-10600-00	UNAVAILABLE IN PRICE BOOK	1	
18	90201-12575-00	WASHER, PLATE	1	
19	93102-12321-00	OIL SEAL, SD-TYPE	1	
20	278-18101-01-00	SHIFT SHAFT ASSEMBLY 1 ..	1	

FRAME - REAR SHOCKS



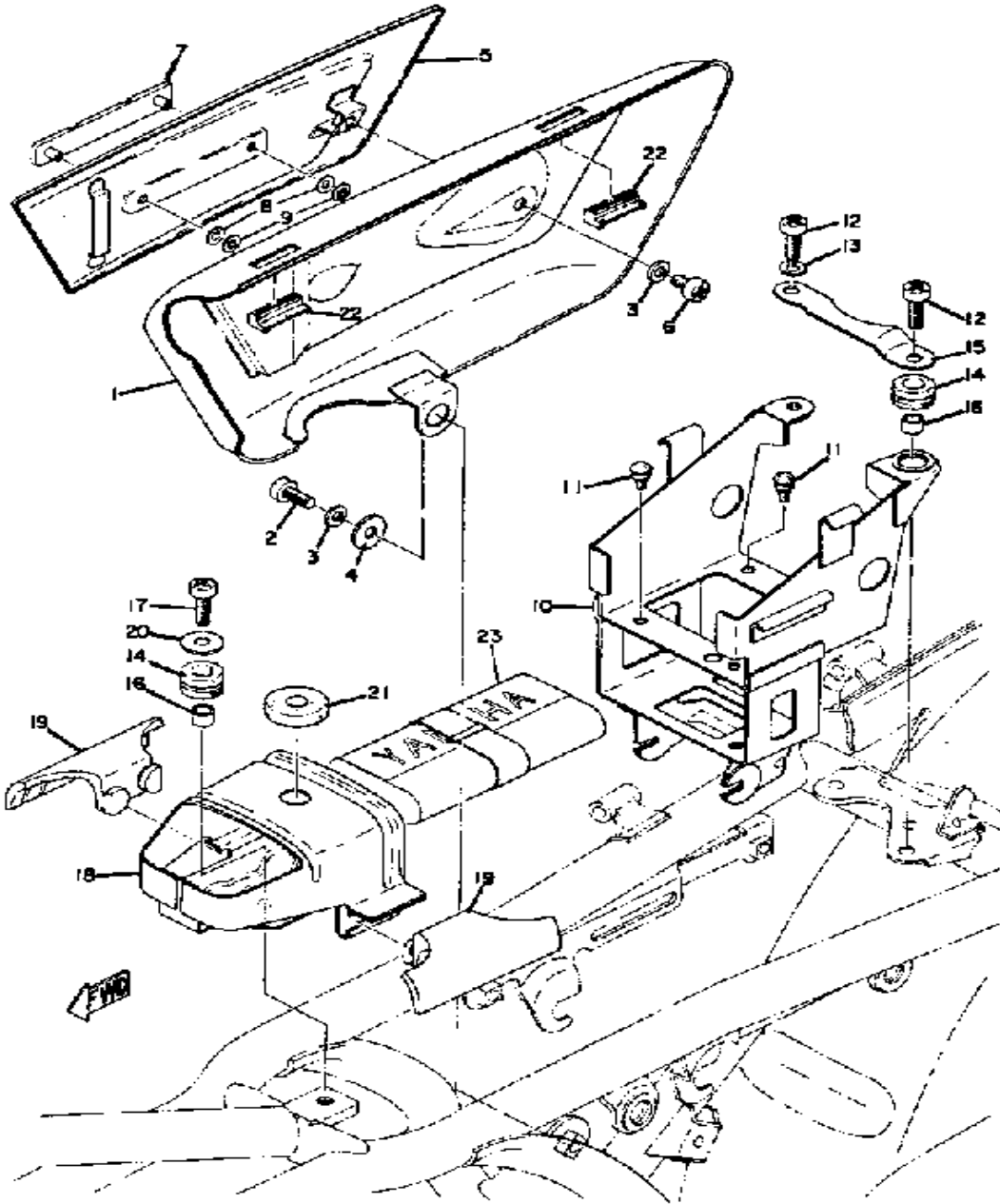
Ref. No.	Part Number	Description	Qty	Remarks
1	(278-21110-00-33)	FRAME	1	
2	90105-08033-00	BOLT, WASHER BASED	2	
3	92990-08100-00	WASHER	4	
4	95333-08600-00	NUT, HEXAGON	4	
5	(248-21315-00-00)	STAY, ENGINE 2	2	
6	97313-10055-00	BOLT, HEXAGON (97322-10055)	1	
7	92990-10100-00	LOCKWASHER	2	
8	95303-10600-00	NUT (95301-10600)	2	
9	97313-08055-00	BOLT, HEXAGON	2	
10	95821-10200-00	BOLT, FLANGE	1	
11	90387-12101-00	COLLAR	1	
12	(278-21645-00-00)	STAY, REAR	1	
13	97313-08020-00	BOLT, HEXAGON	2	
14	92990-08100-00	WASHER	2	
15	(278-22210-22-00)	SHK/ABS ASSEMBLY, REAR	2	
16	90201-14218-00	WASHER, PLATE	2	
17	90201-10437-00	WASHER, PLATE	4	
18	95303-10800-00	NUT (CROWN) (92803-10700)	4	
19	90269-04003-00	RIVET	1	
20	(134-23484-10-00)	CAP, HANDLE LOCK	1	
21	90206-04003-00	WASHER, WAVE (214-23488-00)	1	
22	341-23408-01-00	STEERING LOCK ASSEMBLY (214-23480-00)	1	
23	90502-08005-00	SPRING, CONICAL (214-23485-00)	1	

FENDER



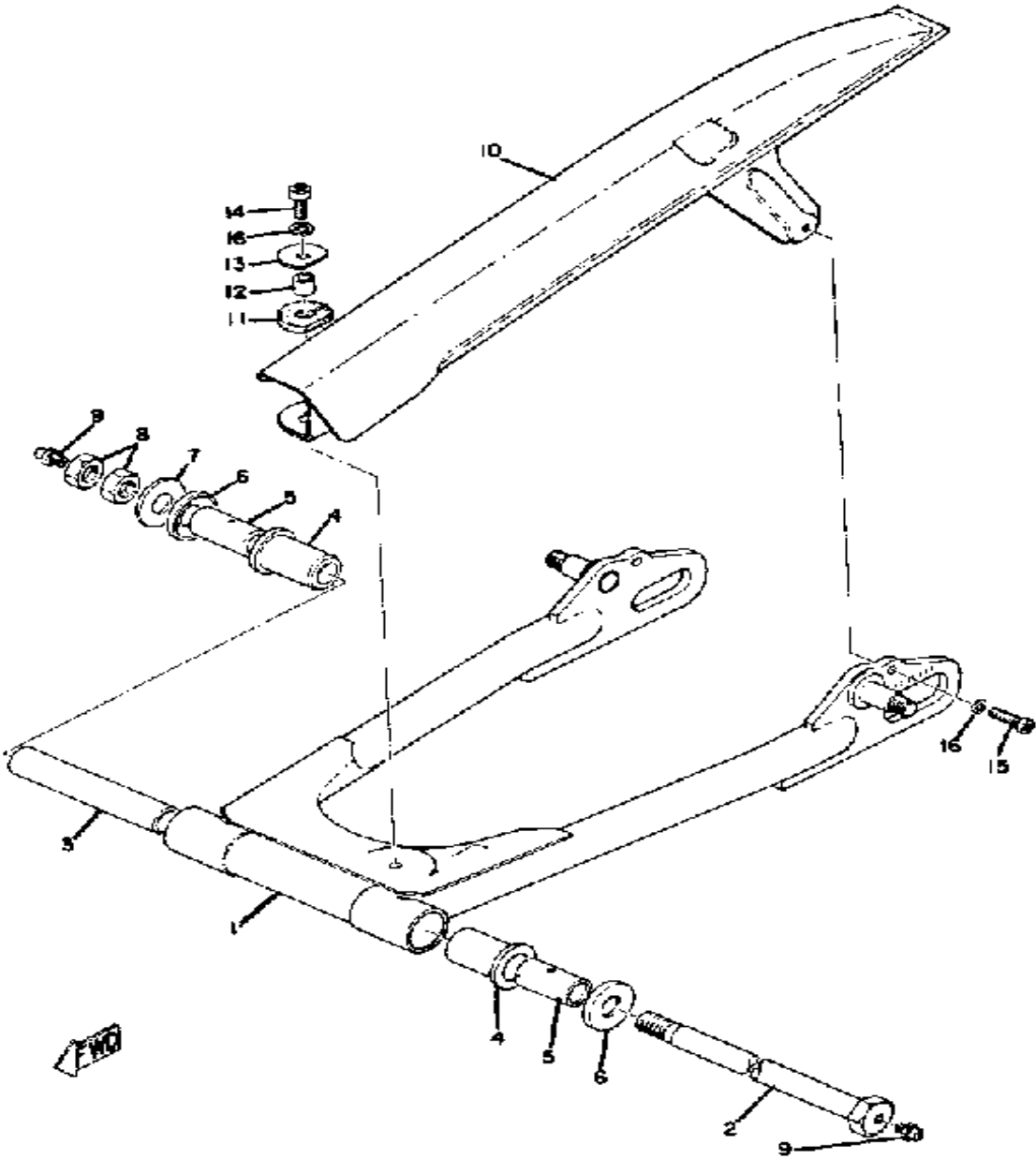
Ref. No.	Part Number	Description	Qty	Remarks
1	(278-21510-00-93)	FENDER, FRONT	1	
2	92990-08200-00	WASHER, PLAIN	4	
3	92990-08100-00	WASHER	4	
4	97313-08018-00	BOLT, HEXAGON (97301-08016)	4	
5	(351-21610-00-93)	FENDER, REAR	1	
6	97023-10035-00	BOLT, HEXAGON	2	
7	92990-10100-00	LOCKWASHER	2	
8	92990-10200-00	WASHER, PLAIN	2	
9	168-21639-00-00	DAMPER 2	2	
10	90201-15239-00	WASHER, PLATE	2	
11	90179-10123-00	NUT, SPEC'L SHAPE	2	
12	97011-06020-00	BOLT	2	
13	90201-06067-00	WASHER, PLATE	2	
14	90480-14023-00	GROMMET	2	
15	90387-065L7-00	COLLAR (51L) (214-21633-00) ..	2	
16	(214-21268-00-00)	SEAL	1	
17	(278-21336-00-00)	CLAMP, WIRE HRNES 2	1	
18	90480-12013-00	GROMMET	2	
19	170-21746-00-00	DAMPER	1	

SIDE COVER - TOOL - BATTERY BOX



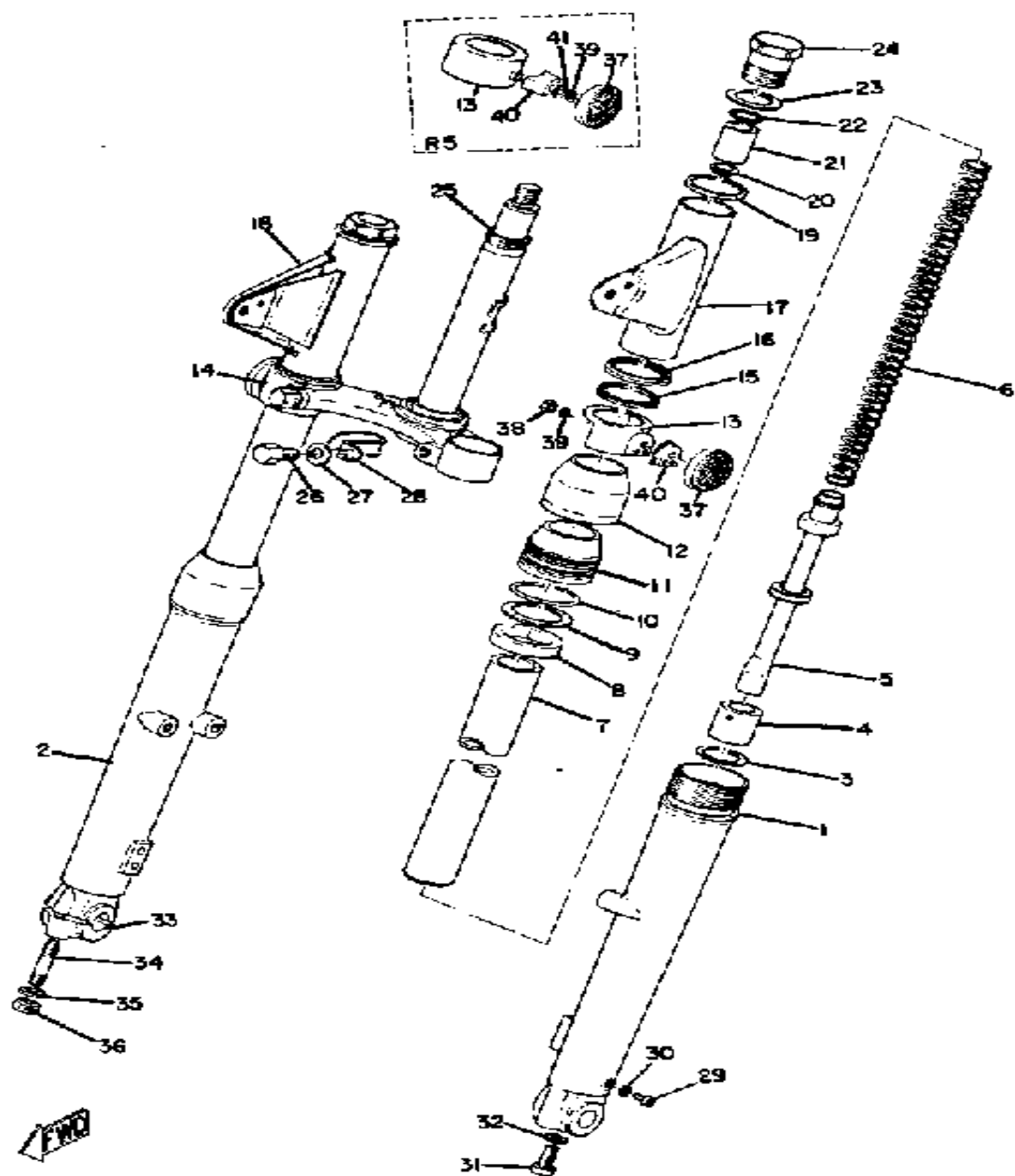
Ref. No.	Part Number	Description	Qty	Remarks
1	(278-21721-00-34)	COVER, SIDE 2	1	
	(278-21721-00-71)	COVER, SIDE 2	1	
2	98580-06020-00	SCREW	1	
3	92995-06100-00	WASHER, SPRING	2	
4	90201-06067-00	WASHER, PLATE	1	
5	(278-21789-00-34)	GRAPHIC	1	
	(278-21789-00-71)	GRAPHIC	1	
6	98580-06010-00	SCREW, PAN HEAD (92503-06010)	1	
7	(278-21786-02-71)	EMBLEM 6	1	
	(278-21786-02-93)	EMBLEM 6	1	
8	90202-04003-00	WASHER, PLATE	2	
9	90183-04005-00	NUT, SPRING	2	
10	(278-21240-00-33)	BOX, BATT.	1	
11	141-21717-00-00	DAMPER	4	
12	98580-06020-00	SCREW	2	
13	92995-06100-00	WASHER, SPRING	1	
14	90480-14023-00	GROMMET	2	
15	(278-21388-00-00)	HOLDER, BATT BOX	1	
16	90387-065L7-00	COLLAR (51L) (214-21633-00)	2	
17	98580-06020-00	SCREW	1	
18	(278-21170-00-33)	BOX, TOOL	1	
19	(278-21746-00-00)	DAMPER	2	
20	90201-06067-00	WASHER, PLATE	1	
21	(296-23455-00-00)	DAMPER	1	
22	278-21717-00-00	DAMPER	2	
23	1KT-W2810-00-00	TOOL KIT	1	

SWING ARM - CHAIN CASE



Ref. No.	Part Number	Description	Qty	Remarks
1	(278-22110-00-33)	REAR ARM	1	
2	156-22141-00-00	SHAFT, PIVOT	1	
3	90387-16128-00	COLLAR (150-22126-00)	1	
4	90386-22018-00	BUSH, SPEC'L NYLON (148-22123-00)	2	
5	90387-16226-00	COLLAR (150-22124-00)	2	
6	1A0-22128-00-00	COVER, THRUST 1	2	
7	240-22127-00-00	SHIM	1	
8	90170-14147-00	NUT, HEXAGON	2	
9	93700-06M03-00	NIPPLE, GREASE	2	
10	(278-22311-00-93)	CASE, CHAIN	1	
11	278-22332-00-00	DAMPER, CHAIN CASE	1	
12	90387-062N2-00	COLLAR	1	
13	90209-06034-00	WASHER, SPEC'L SHAP	1	
14	98580-06020-00	SCREW	1	
15	98580-06018-00	SCREW, PAN HEAD	1	
16	92995-06100-00	WASHER, SPRING	2	

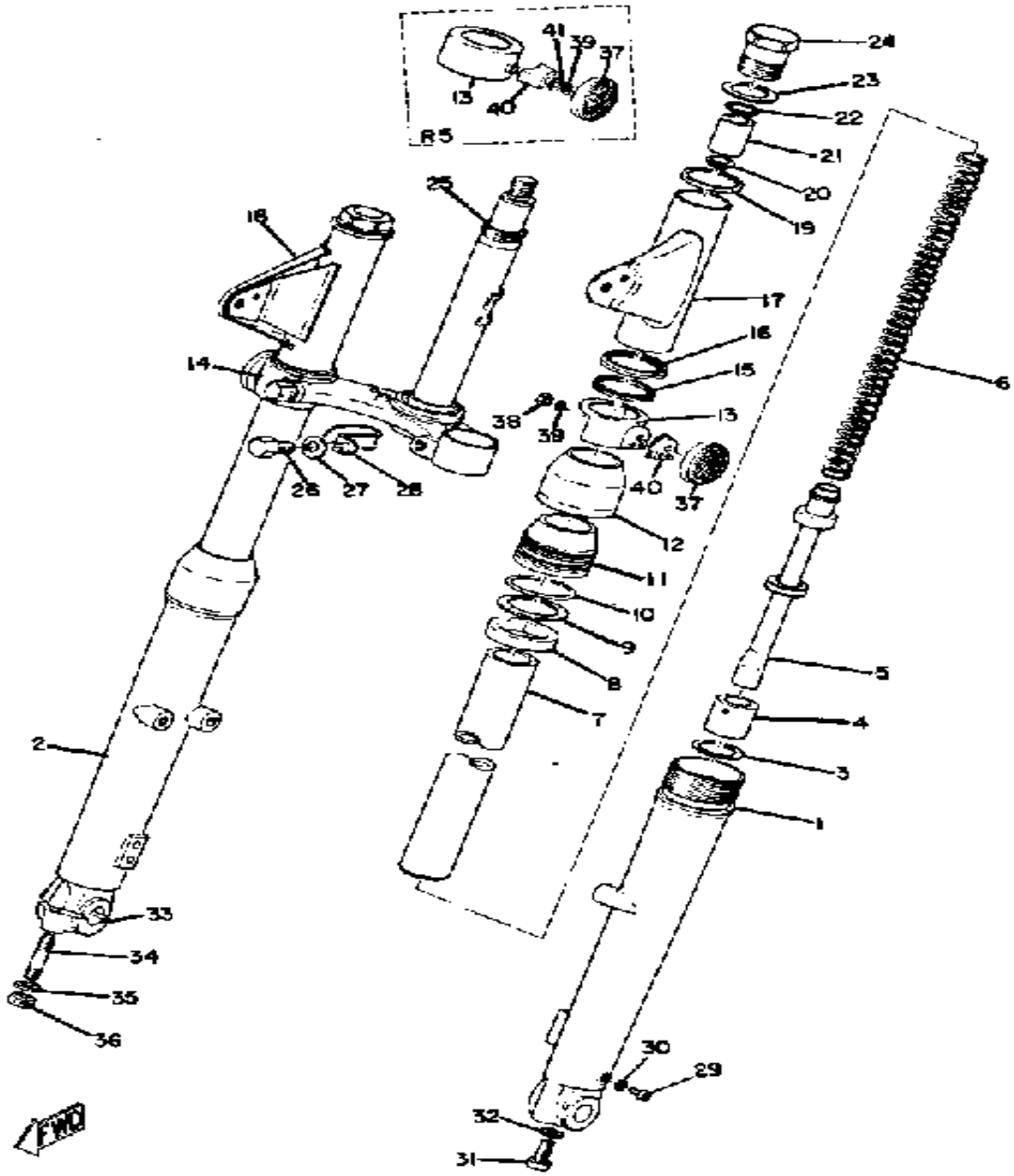
FRONT FORK



Ref. No.	Part Number	Description	Qty	Remarks
1	(278-23126-50-00)	TUBE, OUTER 1	1	
2	(278-23136-50-00)	TUBE, OUTER 2	1	
3	93450-30033-00	. CIRCLIP, INNER	2	
4	(278-23171-50-00)	PISTON, FRONT FORK	2	
5	(278-23170-50-00)	CYLINDER, FRTFRK	2	
6	(278-23141-50-00)	SPRING, FRONT FORK	2	
7	(278-23124-50-00)	TUBE, INNER 1	2	
8	278-23145-51-00	. OIL SEAL	2	
9	214-23146-00-00	. WASHER, OIL SEAL	2	
10	214-23156-00-00	. CLIP, OIL SEAL	2	
11	278-23144-50-00	. SEAL, DUST	2	
12	278-23148-50-00	. COVER, DUST SEAL	2	
13	(275-23122-60-00)	COVER, OUTER 1	1	
	(278-23122-61-00)	COVER, OUTER 1	1	
14	(275-23122-60-00)	COVER, OUTER 1	1	
	(278-23132-61-00)	COVER, OUTER 2	1	
15	291-23163-61-00	. GASKET (LAMP STAY)	2	
16	447-23116-52-00	. GUIDE, COVER LOWER	2	
17	(278-23121-50-71)	COVER, UPPER 1	1	
	278-23122-50-34	. UNAVAILABLE IN PRICE BOOK	1	
18	(278-23131-50-34)	COVER, UPPER 2	1	
	(278-23131-50-71)	COVER, UPPER 2	1	
19	168-23115-00-00	. GUIDE, COVER UPPER	2	
20	278-23142-50-00	. SEAT, SPRING UPPER	2	
21	(214-23118-00-00)	SPACER	2	
22	214-23114-00-00	. GASKET	2	
23	(256-23112-61-00)	WASHER, CAP	2	
24	(256-23111-60-00)	BOLT, CAP	2	

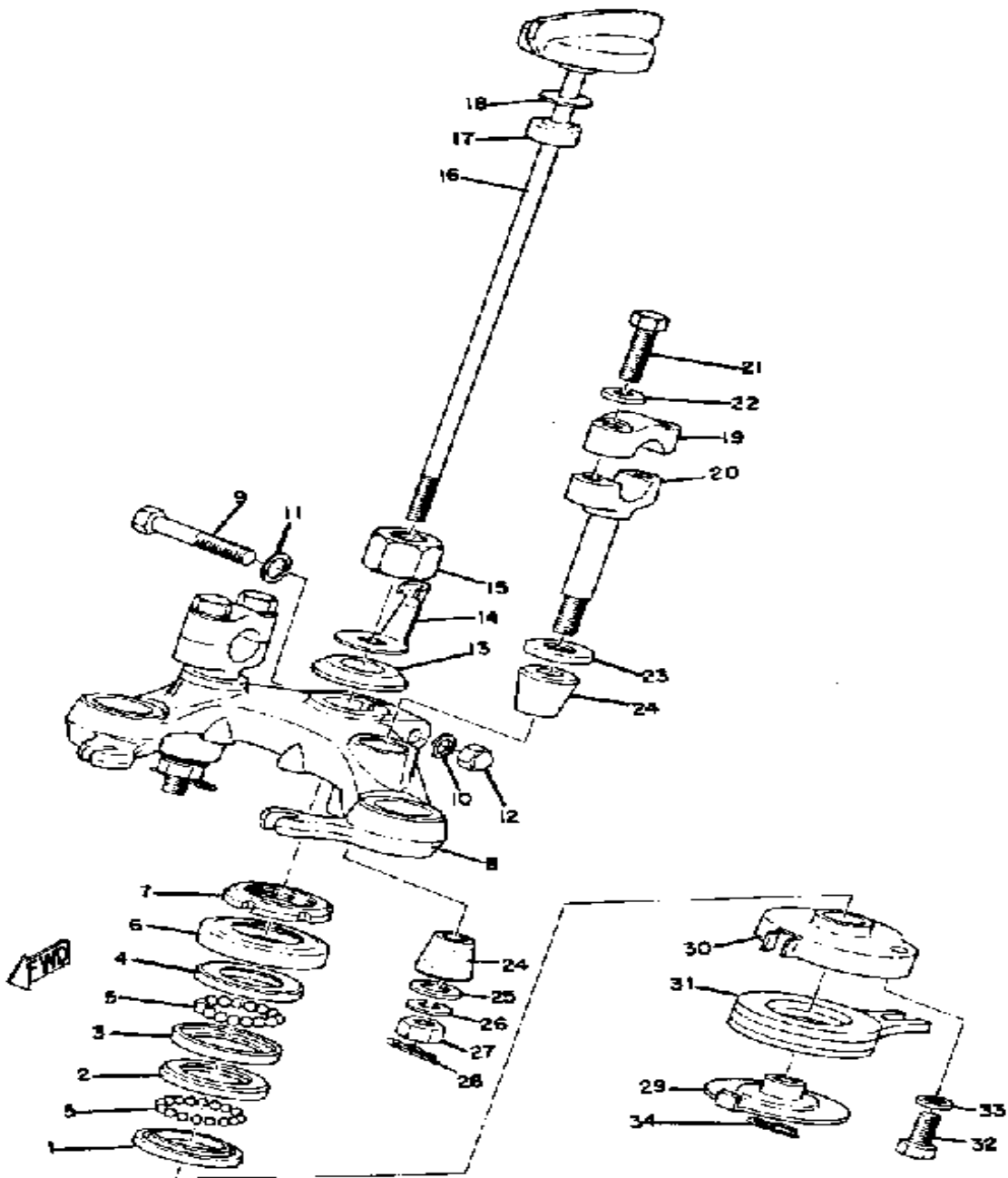
CONTINUED ON NEXT FRAME ►

FRONT FORK



Ref. No.	Part Number	Description	Qty	Remarks
25	(278-23340-31-33)	UNDER BRACKET	1	
26	(278-23346-50-00)	BOLT 1	2	
27	92909-10100-00	. UNAVAILABLE IN PRICE BOOK	2	
28	(256-23318-60-00)	HOLDER, CABLE 1	1	
29	98580-04008-00	. SCREW, PAN HEAD	2	
30	122-23129-00-00	. GASKET, DRAIN PLUG	2	
31	278-23181-50-00	. BOLT, HEXAGON SOCKET HEAD	2	
32	509-23158-L0-00	. GASKET	2	
33	(278-23167-50-00)	HOLDER, AXLE	1	
34	90116-08261-00	. BOLT, STUD	2	
35	92990-08100-00	. WASHER	2	
36	95333-08600-00	. NUT, HEXAGON	2	
37	341-85111-00-00	REFLECTOR, FRONT 1	2	
38	95380-05600-00	NUT	2	
39	92990-05100-00	WASHER, SPRING	2	
40	(256-23162-60-00)	COVER, RFLCTR STAY	2	
	(278-85113-00-00)	DAMPER	2	
41	92990-05200-00	WASHER, PLAIN	2	
-1	(278-23100-50-34)	FRONT FORK ASSEMBLY	1	
	(278-23100-61-71)	FRONT FORK ASSEMBLY	1	

STEERING

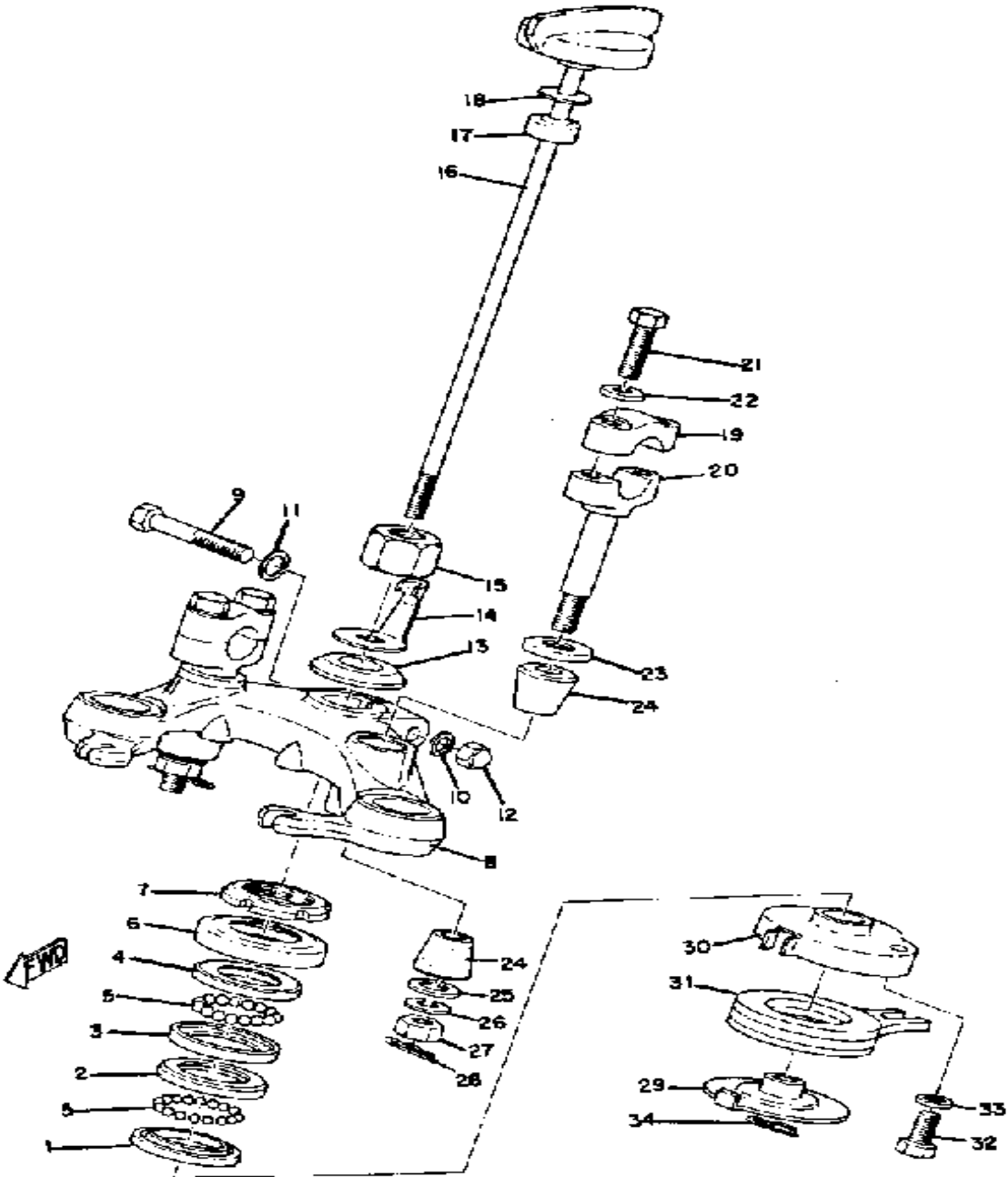


Ref. No.	Part Number	Description	Qty	Remarks
1	156-23411-00-00	RACE, BALL 1	1	
2	156-23412-00-00	RACE, BALL 2	1	
3	183-23412-00-00	RACE, BALL 2	1	
4	183-23411-00-00	RACE, BALL 1	1	
5	93501-04011-00	BALL	38	
6	136-23415-00-00	COVER, BALL RACE 1	1	
7	90179-25033-00	NUT	1	
8	(278-23435-00-00)	CROWN, HANDLE	1	
9	97313-08055-00	BOLT, HEXAGON	1	
10	92990-08100-00	WASHER	1	
11	90201-08083-00	WASHER, PLATE	1	
12	95303-08800-00	NUT (CROWN) (95301-08800) .	1	
13	90209-17057-00	WASHER, SPEC'L SHAP	1	
14	(246-23428-00-00)	SPRING	1	
15	95303-16600-00	NUT (95301-16600)	1	
16	278-23419-00-00	SHAFT, DAMPER	1	
17	90202-06008-00	WASHER, PLATE	1	
18	90201-06061-00	WASHER, PLATE	1	
19	401-23441-00-98	HOLDER, HANDLE UPR	2	
20	256-23442-00-98	HOLDER, HANDLE LWR	2	
21	97313-08030-00	BOLT, HEXAGON	4	
22	92990-08100-00	WASHER	4	
23	90209-12102-00	WASHER, SPEC'L SHAP	2	
24	(90385-12020-00)	BUSH, SPEC'L RUBBER	4	
25	90201-14218-00	WASHER, PLATE	2	
26	92990-10100-00	LOCKWASHER	2	
27	95303-10700-00	NUT	2	
28	90468-12006-00	CLIP	2	
29	(169-23421-00-33)	PLATE, DAMPER 1	1	

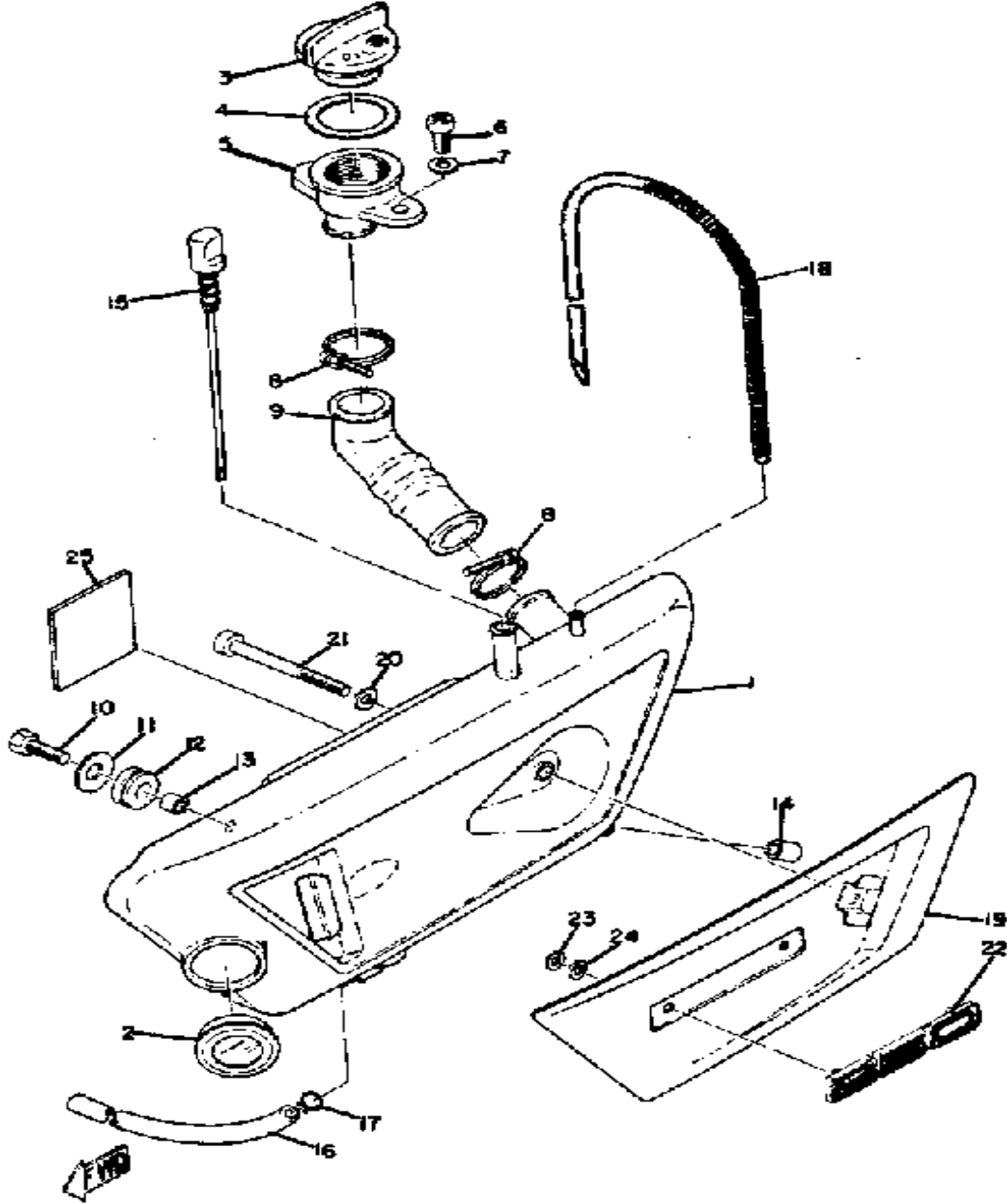
CONTINUED ON NEXT FRAME ➤

STEERING

Ref. No.	Part Number	Description	Qty	Remarks
30	(246-23423-00-00)	PLATE, DAMPER 3	1	
31	(169-23422-01-00)	PLATE, DAMPER 2	1	
32	97313-08012-00	BOLT	1	
	97313-08018-00	BOLT, HEXAGON (97301-08016)	1	
33	92990-08100-00	WASHER	1	
34	90468-10050-00	CLIP	1	

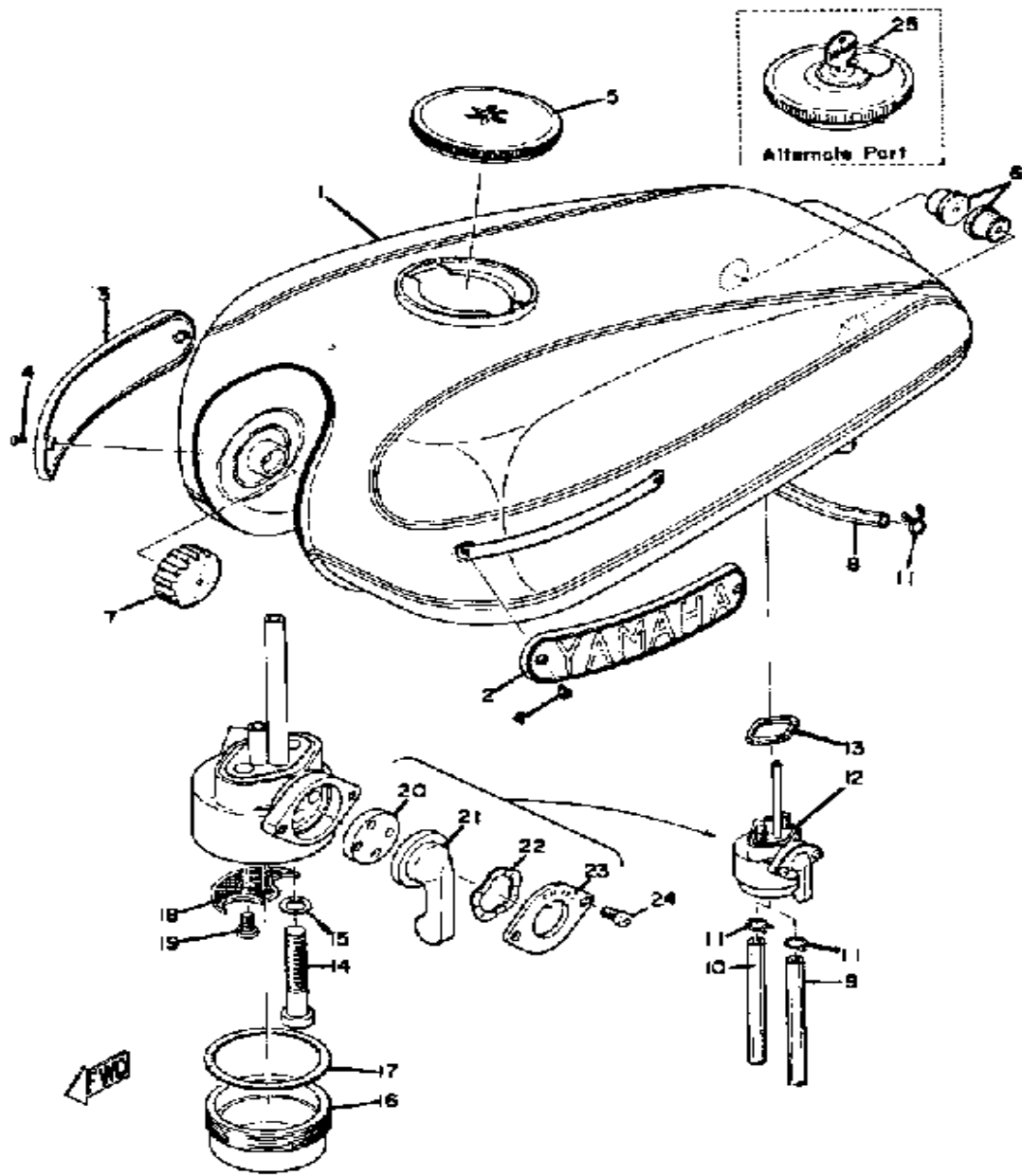


OIL TANK



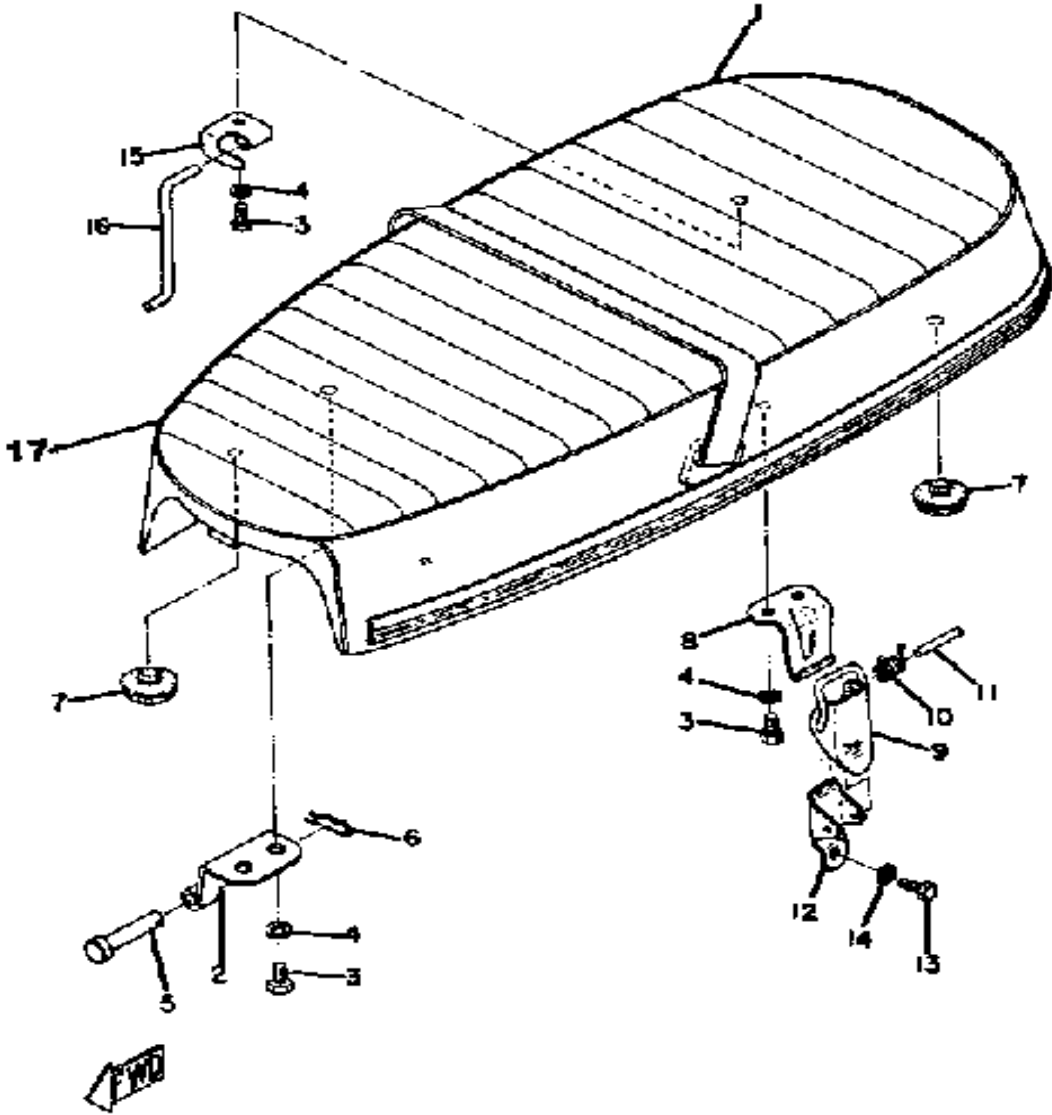
Ref. No.	Part Number	Description	Qty	Remarks
1	(278-21705-00-34)	OIL TANK ASSEMBLY	1	
	(278-21705-00-71)	OIL TANK ASSEMBLY	1	
2	214-21761-00-00	. GAUGE, LEVEL	1	
3	214-21771-00-00	BODY, CAP	1	
4	90430-29114-00	GASKET	1	
5	278-21752-00-00	TUBE, FILLER 1	1	
6	98580-06020-00	SCREW	2	
7	92995-06100-00	WASHER, SPRING	2	
8	(90460-24005-00)	CLAMP, HOSE	2	
9	(278-21753-00-00)	BOSS, CONNECTOR	1	
10	97011-06020-00	BOLT	2	
11	90201-06067-00	WASHER, PLATE	2	
12	90480-14023-00	GROMMET	2	
13	90387-065L7-00	COLLAR (51L) (214-21633-00)	2	
14	437-21779-00-00	DAMPER, LOCATING 2	1	
15	1A0-21792-00-00	GAUGE, OIL	1	
16	90445-09122-00	HOSE	1	
17	90467-08003-00	CLIP	1	
18	(278-21745-00-00)	PIPE, OIL TNK BRTHR	1	
19	(278-21788-00-34)	COVER	1	
	(278-21788-00-71)	COVER	1	
20	92995-06100-00	WASHER, SPRING	1	
21	98580-06565-00	SCREW, PAN HEAD (92501-06065)	1	
22	(278-21786-02-71)	EMBLEM 6	1	
	(278-21786-02-93)	EMBLEM 6	1	
23	90183-04005-00	NUT, SPRING	2	
24	90202-04003-00	WASHER, PLATE	2	
25	(214-21268-00-00)	SEAL	1	

FUEL TANK



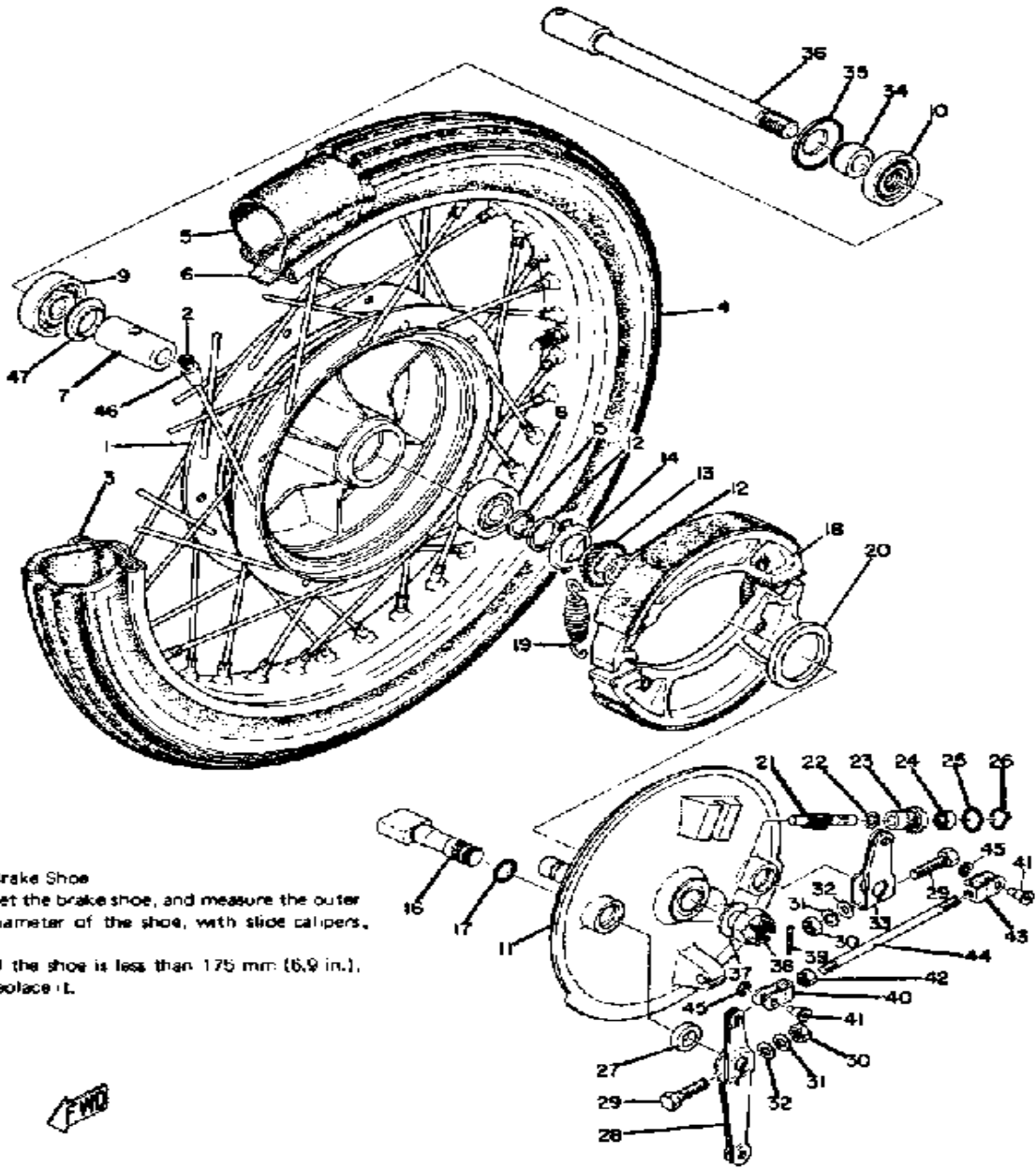
Ref. No.	Part Number	Description	Qty	Remarks
1	(278-24110-00-01)	FUEL TANK	1	
	(278-24110-00-03)	FUEL TANK	1	
	(278-24110-00-04)	FUEL TANK	1	
	278-24161-60-00	EMBLEM 1	1	
3	278-24162-60-00	EMBLEM 2	1	
4	98580-04008-00	SCREW, PAN HEAD	4	
5	137-24610-00-00	CAP ASSEMBLY	1	
6	122-24182-01-00	DAMPER, LOCATING 2	2	
7	278-24181-00-00	DAMPER, LOCATING 1	2	
8	90445-09094-00	HOSE (90445-09221-00)	1	
9	90445-09083-00	HOSE	1	
10	90445-09089-00	HOSE	1	
11	90467-08003-00	CLIP	4	
12	360-24500-00-00	FUEL COCK ASSEMBLY 1	1	
13	168-24512-00-00	. GASKET	1	
14	98580-06035-00	. SCREW, PAN HEAD	2	
15	90430-06013-00	. GASKET (137-24513-00)	2	
16	360-24521-00-00	. CUP, FILTER	1	
17	168-24522-00-00	. GASKET	1	
18	168-24515-00-00	. NET, FILTER 2	1	
19	98580-03008-00	. SCREW, PAN HEAD	1	
20	137-24523-00-00	. GASKET	1	
21	168-24524-00-00	. LEVER, COCK	1	
22	132-24518-00-00	. WASHER, WAVE	1	
23	(132-24525-01-00)	PLATE, LVR FITTING	1	
24	98580-03008-00	. SCREW, PAN HEAD	2	
25	137-24610-00-00	CAP ASSEMBLY	1	

SEAT



Ref. No.	Part Number	Description	Qty	Remarks
1	360-24730-06-00	DOUBLE SEAT ASSEMBLY ...	1	
2	248-24726-00-33	HINGE, SEAT	2	PN315
3	97013-06012-00	BOLT	7	PN315
4	92995-06100-00	WASHER, SPRING	7	
5	91701-05055-00	PIN, CLEVIS	2	
6	90468-10050-00	CLIP	2	
7	1L9-24741-00-00	PAD, SEAT	5	
8	278-24728-00-00	BRACKET, SEAT	1	
9	214-24776-00-33	LEVER, SEAT	1	
10	90508-10012-00	SPRING, TORSION	1	
11	90249-04068-00	PIN, SPECL SHAPE	1	
12	214-24718-00-00	BRACKET, SEAT	1	
13	97011-06010-00	BOLT	1	
14	92990-06200-00	WASHER	1	
15	(278-24748-00-00)	BRACKET, SEAT	1	0365
16	(278-24768-00-00)	STOPPER	1	
17	(278-24731-00-00)	COVER, DOUBLE SEAT	1	

FRONT WHEEL

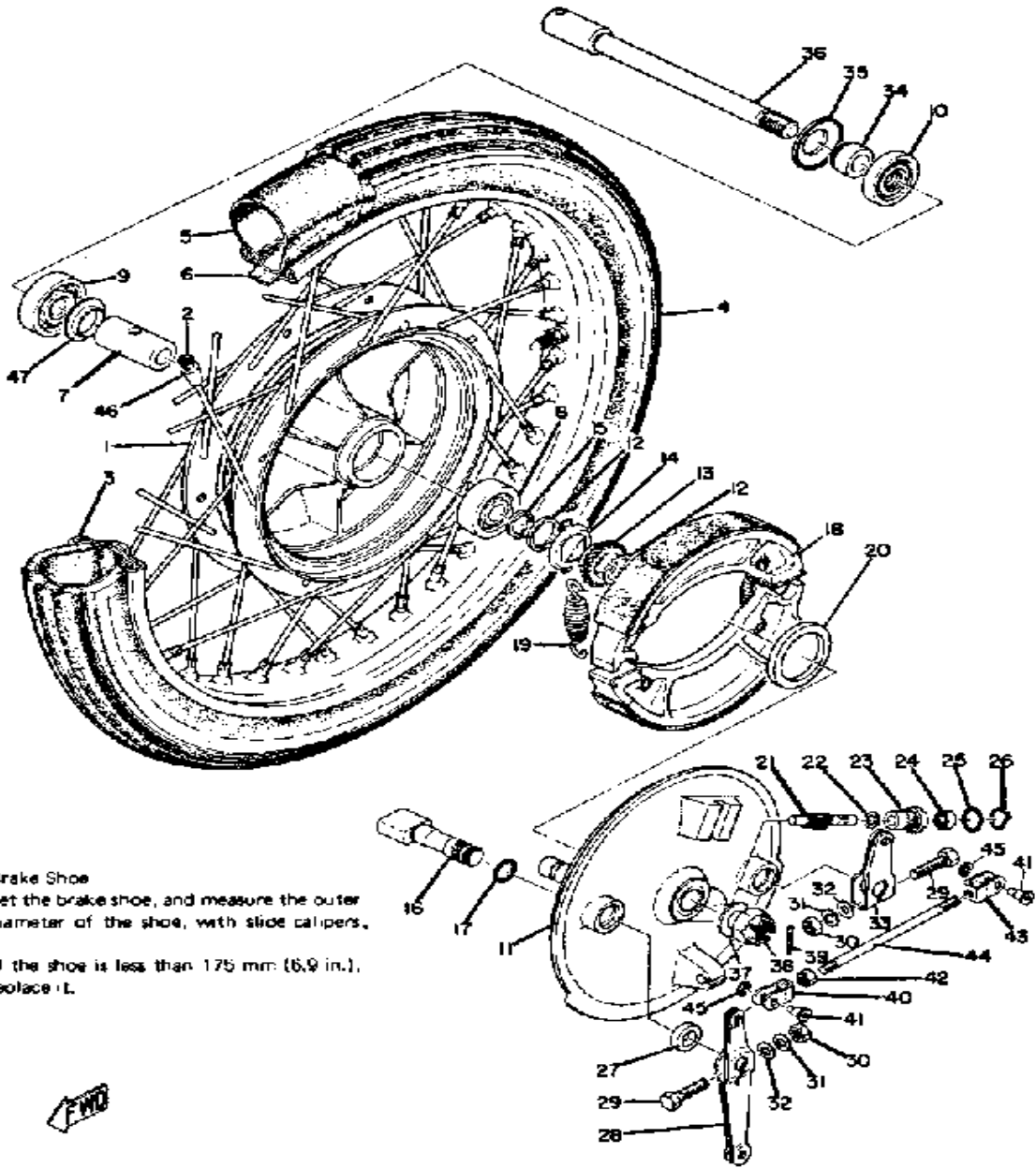


Brake Shoe
 Set the brake shoe, and measure the outer diameter of the shoe, with slide calipers.
 If the shoe is less than 175 mm (6.9 in.), replace it.

Ref. No.	Part Number	Description	Qty	Remarks
1	(246-25111-00-38)	HUB, FRONT	1	
2	152-25104-00-00	SPOKE SET, FRONT	1	
3	(94416-18013-00)	RIM 1.60X 8	1	
4	(94130-18363-00)	YOKO 300S18 Y9 6	1	
5	94230-18084-00	TUBE	1	
6	94325-18043-00	BAND, RIM	1	
	SPA-CER--	0 1	1	
8	93306-30202-00	BEARING	1	
9	93306-30202-00	BEARING	1	
10	93102-22014-00	OIL SEAL	1	
11	(361-25120-10-00)	BRAKE SHOE PLT ASSEMBLY	1	
12	90201-22283-00	WASHER, PLATE	2	
13	246-25135-00-00	GEAR, DRIVE	1	
14	246-25149-00-00	CLUTCH, METER	1	
15	93410-22014-00	CIRCLIP, S-TYPE	1	
16	(4R5-25151-00-00)	CAMSHAFT	2	
17	148-25353-00-00	SHIM, CAMSHAFT	2	
18	168-W2535-00-00	BRAKESHOE SET-2PCS	2	
19	90507-20002-00	SPRING, TENSION	2	
20	93105-53013-00	OIL SEAL, SDD-TYPE	1	
21	214-25138-00-00	GEAR, METER	1	
22	90201-07076-00	WASHER, PLATE	1	
23	109-25136-00-00	BUSH	1	
24	93104-07003-00	OIL SEAL	1	
25	93210-14104-00	O-RING	1	
26	102-25137-00-00	RING, STOP	1	
27	148-25359-00-00	SEAL, CAMSHAFT	2	
28	168-25155-00-00	LEVER, CAMSHAFT 1	1	
29	97313-06030-00	BOLT, HEXAGON	2	

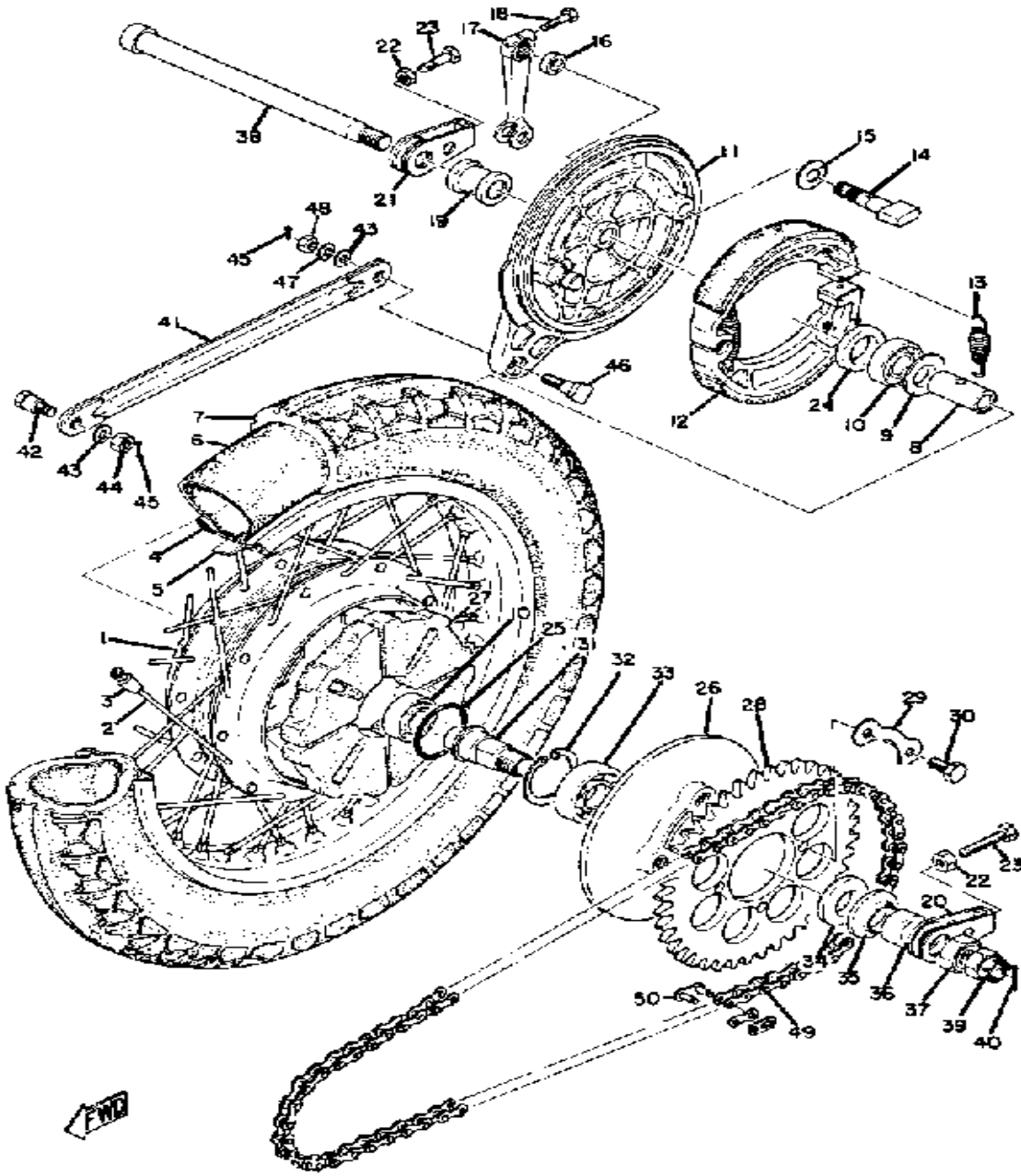
CONTINUED ON NEXT FRAME ►

FRONT WHEEL



Ref. No.	Part Number	Description	Qty	Remarks
30	95380-06600-00	NUT	2	
31	92995-06100-00	WASHER, SPRING	2	
32	90201-06038-00	WASHER, PLATE	2	
33	246-25156-00-00	LEVER, CAMSHAFT 2	1	
34	(90387-15421-00)	COLLAR	1	
35	(246-25118-00-00)	COVER, HUB DUST	1	
36	(278-25181-00-00)	AXLE, WHEEL	1	
37	92990-14200-00	WASHER, PLAIN	1	
38	90171-14020-00	NUT, CASTLE	1	
39	91401-30030-00	PIN, COTTER	1	
40	152-25163-00-00	END, ROD 1	1	
41	90249-06095-00	PIN, SPEC'L SHAPE	2	
42	95380-06700-00	NUT	1	
43	152-25164-00-00	END, ROD 2	1	
44	(152-25161-00-00)	ROD, CONNECTING	1	
45	99080-04600-00	CIRCLIP (E)	2	
46	156-25398-00-00	BALANCER, WHEEL	1	
47	146-25115-00-00	FLANGE, SPACER 1	1	

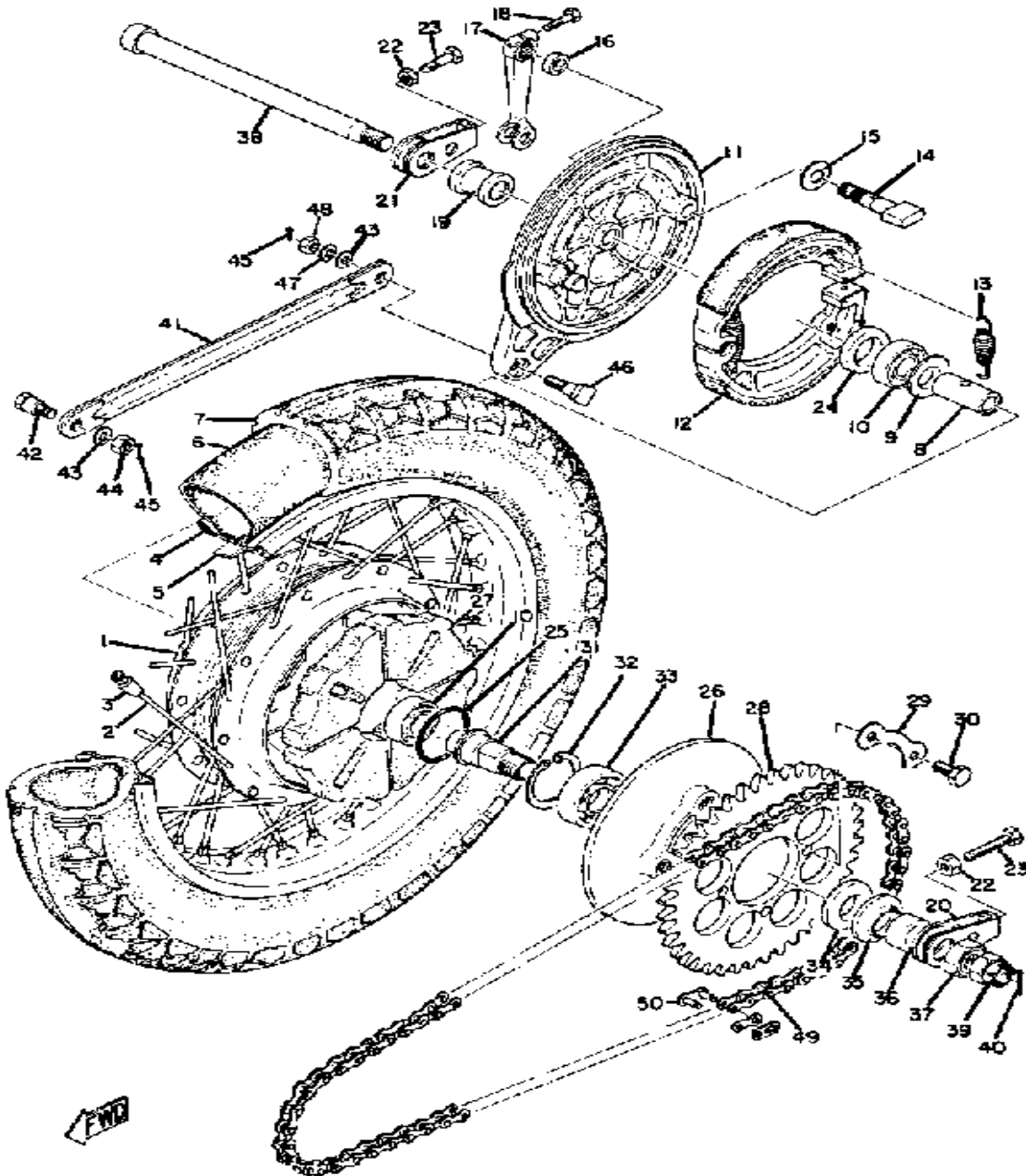
REAR WHEEL



Ref. No.	Part Number	Description	Qty	Remarks
1	(278-25311-00-00)	HUB, REAR	1	
2	(152-25304-00-00)	SPOKE SET, REAR	1	
	(278-25396-90-00)	SPOKE SET, INNER 2	1	
	(278-25397-90-00)	SPOKE SET, OUTER 2	1	
	278-25304-00-00	SPOKE SET, REAR	1	
3	156-25398-00-00	BALANCER, WHEEL	1	
4	94418-18026-00	RIM 1.85X 8	1	
5	94325-18043-00	BAND, RIM	1	
6	94235-18085-00	TUBE	1	
7	(94135-18306-00)	3.50-18 DUNLOP	1	
8	(90560-17140-00)	SPACER	1	
9	146-25315-00-00	FLANGE, SPACER	1	
10	93306-30309-00	BEARING	2	
11	(360-25026-10-38)	BRAKE SHOE PLT ASSEMBLY	1	
12	4L0-W2536-00-00	BRAKESHOE SET-2PCS	2	
13	90507-20002-00	SPRING, TENSION	2	
14	4L0-25351-00-00	CAMSHAFT	1	
15	148-25353-00-00	SHIM, CAMSHAFT	1	
16	148-25359-00-00	SEAL, CAMSHAFT	1	
17	214-25355-00-00	LEVER, CAMSHAFT	1	
18	97011-06025-00	BOLT (97001-06025)	1	PN315
19	148-25383-00-00	COLLAR, WHEEL	1	
20	(1A1-25389-00-00)	PULLER, CHAIN 2	1	
21	168-25389-00-00	PULLER, CHAIN 2	1	
22	95303-08700-00	NUT	2	
23	90101-08699-00	BOLT	2	
24	93104-25008-00	OIL SEAL, SO-TYPE	1	
25	93210-55051-00	O-RING (3-54.5)	1	
26	(168-25366-00-00)	CLUTCH, HUB	1	

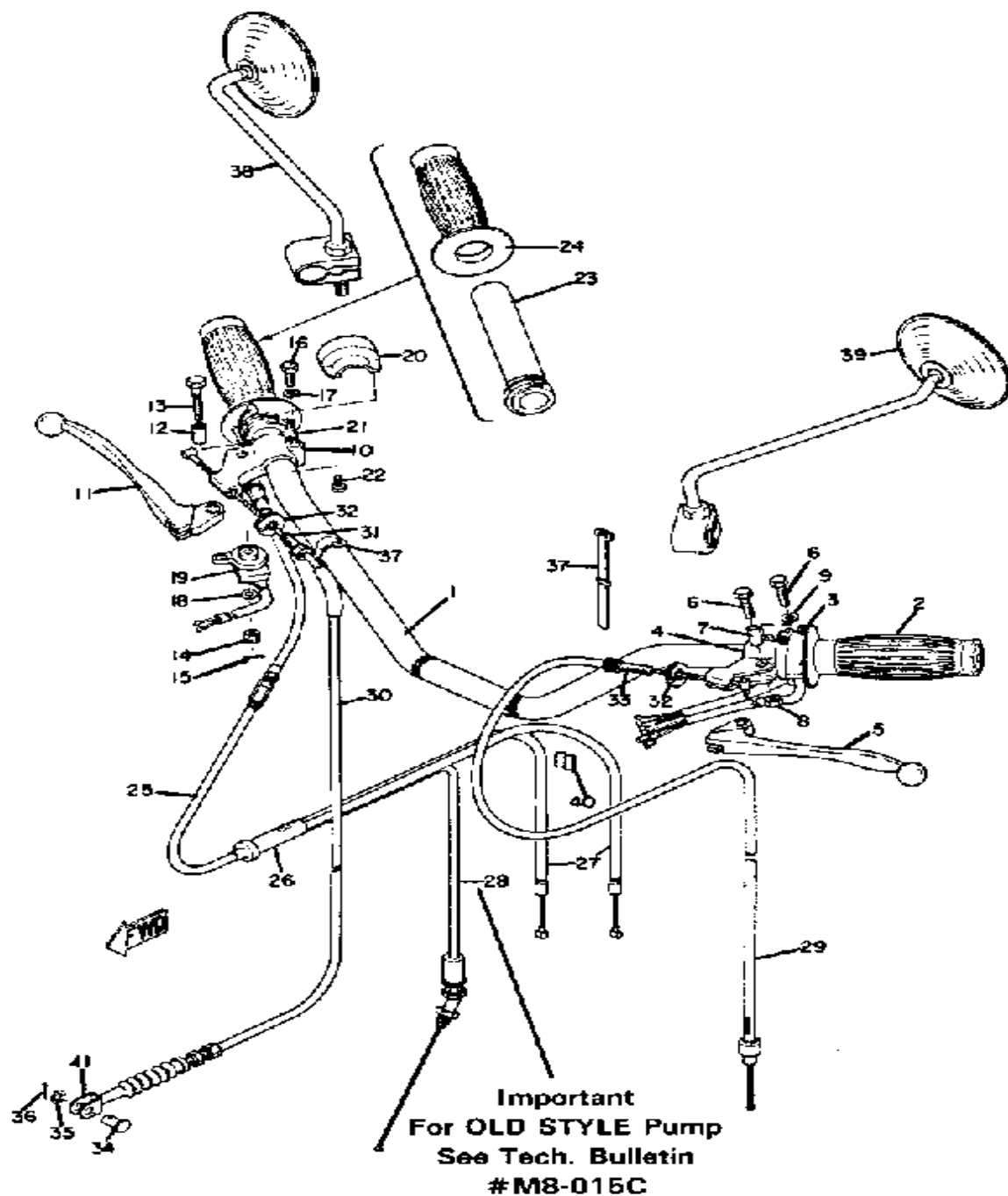
CONTINUED ON NEXT FRAME ➤

REAR WHEEL



Ref. No.	Part Number	Description	Qty	Remarks
27	(168-25364-00-00)	DAMPER	4	
	278-25364-00-00	DAMPER	4	
28	1A0-25440-20-00	SPROCKET, DRIVN 40T (40T) .	1	
29	148-25412-00-00	WASHER	2	
30	90105-10007-00	BOLT, WASHER BASED	4	
31	152-25387-00-00	AXLE, SPROCKET	1	
32	99009-52500-00	CIRCLIP	1	
33	93306-20503-00	BEARING (B6205Z SPECIAL) .	1	
34	93102-32037-00	OIL SEAL, SD-TYPE	1	
35	(168-25367-00-00)	COVER, HUB DUST	1	
36	90387-23441-00	COLLAR	1	
37	90170-22097-00	NUT, HEXAGON	1	
38	150-25381-00-00	AXLE, WHEEL	1	
39	90171-16007-00	NUT, CASTLE (275-25382-00) .	1	
40	91401-30030-00	PIN, COTTER	1	
41	(168-25371-00-00)	BAR, TENSION	1	
42	90109-08375-00	BOLT (168-25373-00)	1	
43	92990-08200-00	WASHER, PLAIN	2	
44	95333-08600-00	NUT, HEXAGON	1	
45	91490-20020-00	PIN, COTTER	2	
46	90109-08184-00	BOLT (168-25378-00)	1	
47	92990-08100-00	WASHER	1	
48	95303-08700-00	NUT	1	
49	(94515-25092-00)	525T 92L	1	
50	(94615-25001-00)	MASTER LINKS	1	PN315

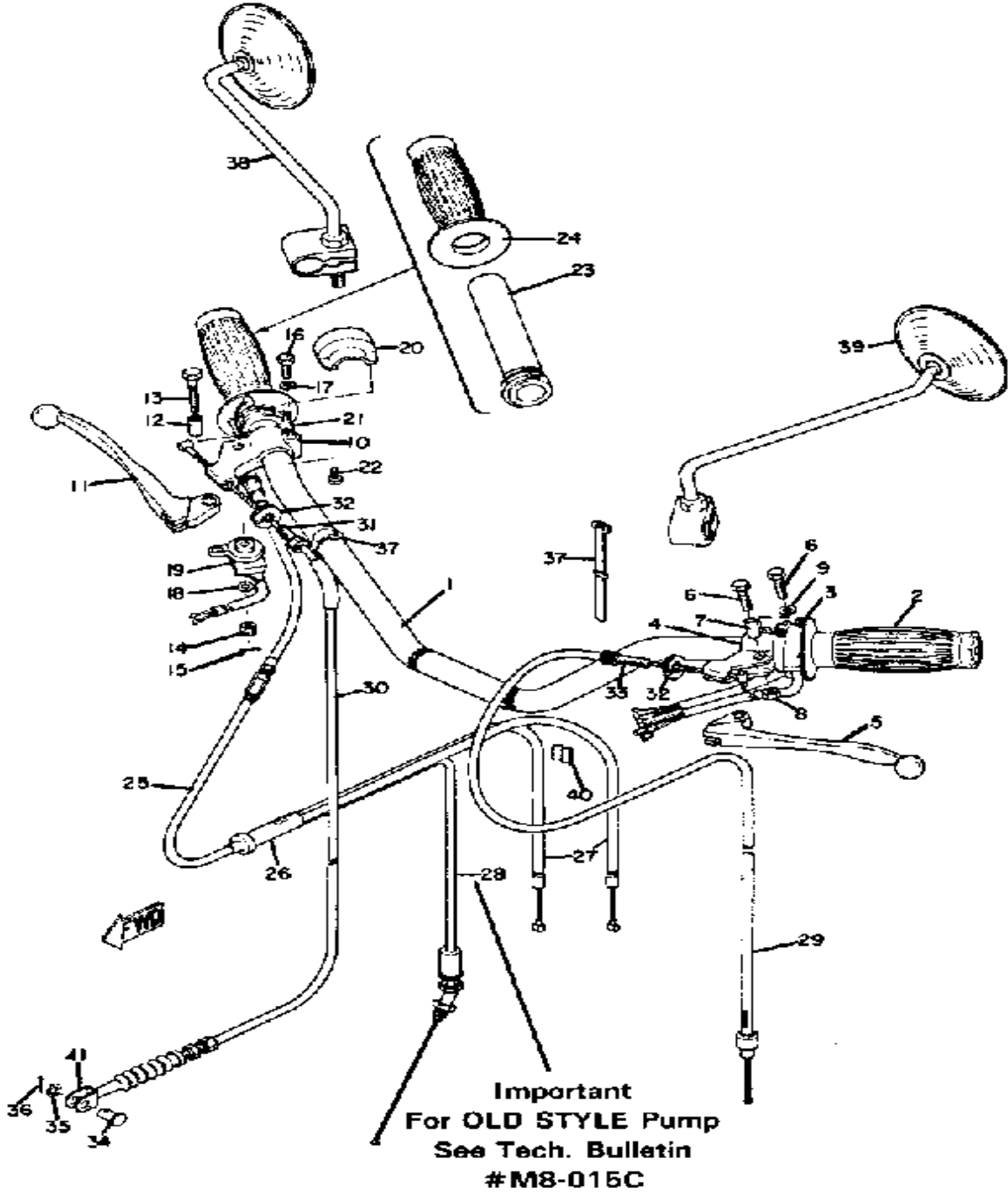
HANDLEBAR - CABLE



Ref. No.	Part Number	Description	Qty	Remarks
1	2L0-26111-00-00	HANDLEBAR	1	STD
2	341-26241-00-00	GRIP LH	1	
3	235-83972-00-94	SWITCH, HANDLE 4	1	
4	214-82911-01-00	. HOLDER, LEVER 1	1	
5	214-83912-00-00	. LEVER 1	1	
6	97023-06020-00	. BOLT (3XF)	2	
7	214-83913-00-00	. COLLAR, LEVER 1	1	
8	95380-06700-00	. NUT	1	
9	92995-06100-00	. WASHER, SPRING	1	
10	233-82921-31-00	. HOLDER, LEVER 2	1	
11	233-83922-30-00	. LEVER R	1	
12	214-83913-00-00	. COLLAR, LEVER 1	1	
13	90109-05197-00	. BOLT (233-81915-01)	1	
14	95301-05900-00	. NUT, SLOTTED	1	
15	91401-12018-00	. PIN, COTTER	1	
16	97023-06020-00	. BOLT (3XF)	1	
17	92995-06100-00	. WASHER, SPRING	1	
18	92990-05200-00	. WASHER, PLAIN	1	
19	232-83980-30-00	STOP SWITCH ASSEMBLY ...	1	
20	(235-26281-00-00)	CAP, GRIP UPPER	1	
21	235-26282-01-00	CAP, GRIP LOWER	1	
22	98501-05018-00	SCREW, PAN HEAD	2	
23	214-26243-00-00	TUBE, THRTL GUIDE	1	
24	(306-26242-10-00)	GRIP RH	1	
25	235-26311-02-00	CABLE, THROTTLE 1	1	STD
26	156-26261-01-00	CONNECTOR, CABLE	1	
27	246-26312-00-00	CABLE, THROTTLE 2	2	
28	278-26321-00-00	CABLE, PUMP	1	SEE TECH BULL. M8-015C

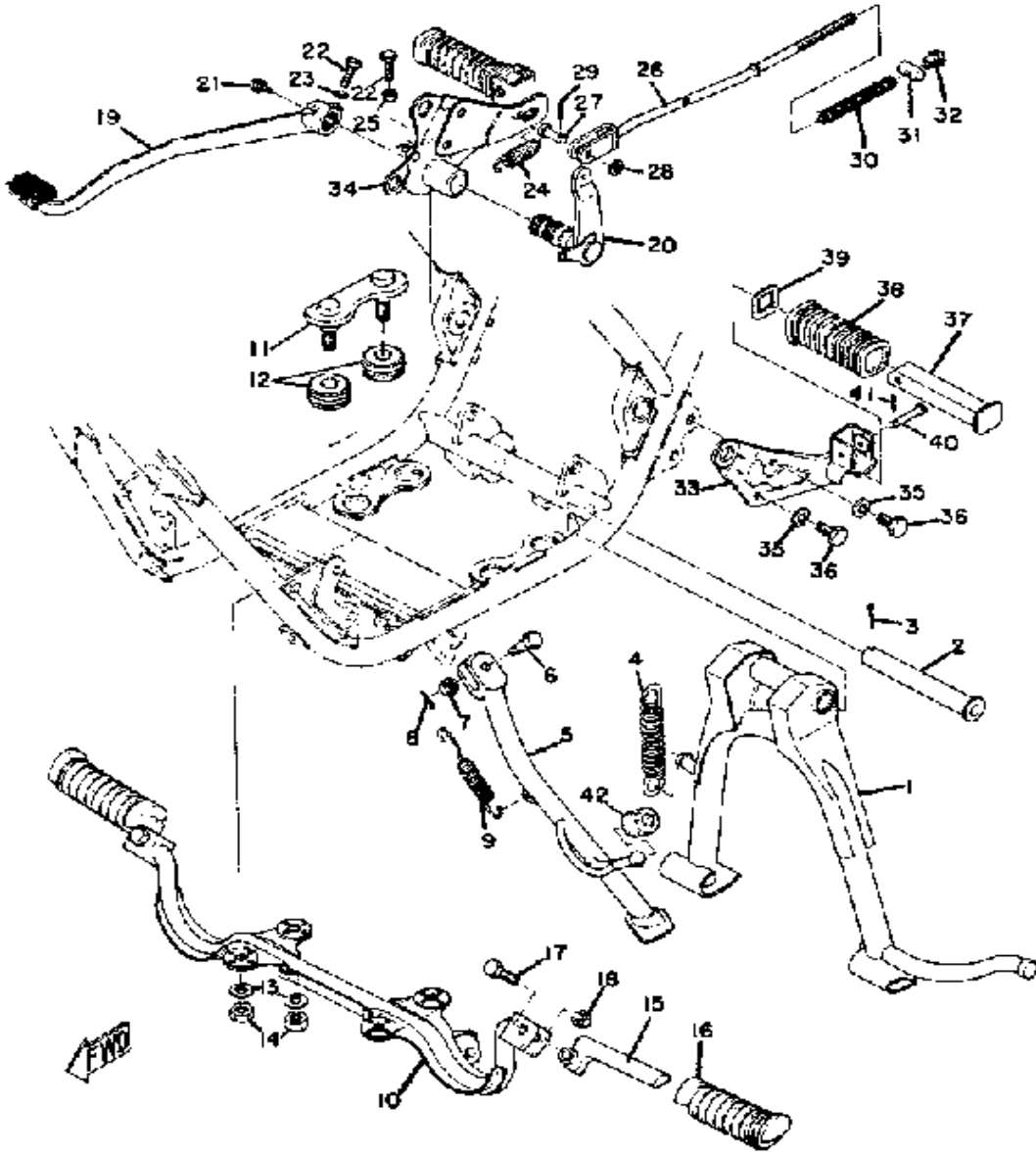
CONTINUED ON NEXT FRAME ►

HANDLEBAR - CABLE



Ref. No.	Part Number	Description	Qty	Remarks
29	278-26335-00-00	CABLE, CLUTCH	1	STD
30	235-26341-30-00	CABLE, BRAKE	1	STD
31	90123-08013-00	BOLT	1	
32	90179-08148-00	NUT	2	
33	90123-08046-00	BOLT	1	
34	90240-08013-00	PIN, CLEVIS	1	
35	90201-08083-00	WASHER, PLATE	1	
36	91490-20020-00	PIN, COTTER	1	
37	437-83936-01-00	BAND, SWITCH CORD	2	
38	253-26290-00-00	MIRROR ASSEMBLY	1	
39	253-26290-10-00	MIRROR ASSEMBLY LH	1	
40	90468-15009-00	CLIP	2	
41	156-26347-00-00	JOINT, CABLE	1	
-1	214-82910-07-00	LEVER HOLDER ASSEMBLY 1 (214-82910-05)	1	
-2	233-82920-32-00	LEVER HOLDER ASSEMBLY 2	1	

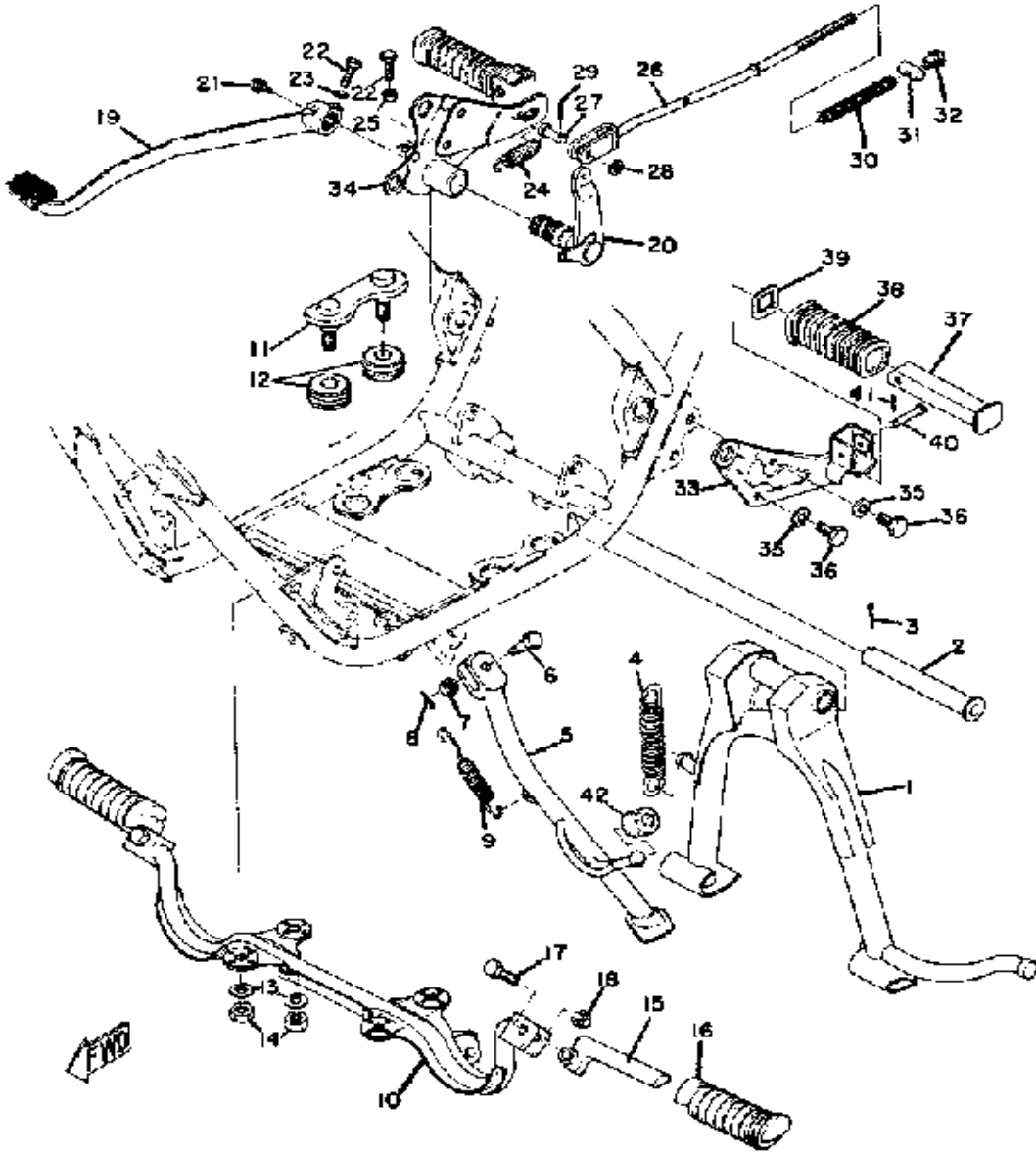
STAND - FOOTREST - BRAKE PEDAL



Ref. No.	Part Number	Description	Qty	Remarks
1	(278-27111-00-00)	STAND, MAIN	1	
2	278-27112-00-00	SHAFT, MAIN STAND	1	
3	91401-30030-00	PIN, COTTER	1	
4	90506-35058-00	SPRING, TENSION	1	
5	(278-27311-01-00)	STAND, SIDE	1	
6	90102-10006-00	BOLT, WITH HOLE (278-27317-00)	1	
7	95303-10900-00	NUT, SLOTTED	1	
8	91490-20025-00	PIN, SPLIT	1	
9	90507-29004-00	SPRING, TENSION (214-27316-00)	1	
10	(278-27412-00-00)	BRACKET, FOOTREST 1	1	
11	(278-27416-00-00)	BOLT, FOOTREST	1	
	(278-27416-00-00)	BOLT, FOOTREST	2	
12	(99999-00961-00)	FOOTREST DAMP SET	2	
	(99999-00961-00)	FOOTREST DAMP SET	4	F/0133585
13	92990-10100-00	LOCKWASHER	4	
14	95303-10600-00	NUT (95301-10600)	4	
15	(278-27451-00-00)	FOOTREST	2	
16	156-27413-00-00	COVER, FOOTREST	2	
17	90109-08376-00	BOLT (157-27416-00)	2	
18	95303-08700-00	NUT	2	
19	(278-27211-00-33)	PEDAL, BRAKE	1	
20	(1A0-27212-00-00)	SHAFT, BRAKE PEDAL	1	
21	93700-06M03-00	NIPPLE, GREASE	1	
22	97011-06025-00	BOLT (97001-06025)	2	
23	92995-06100-00	WASHER, SPRING	1	
24	90506-20042-00	SPRING, TENSION	1	
25	95380-06700-00	NUT	1	

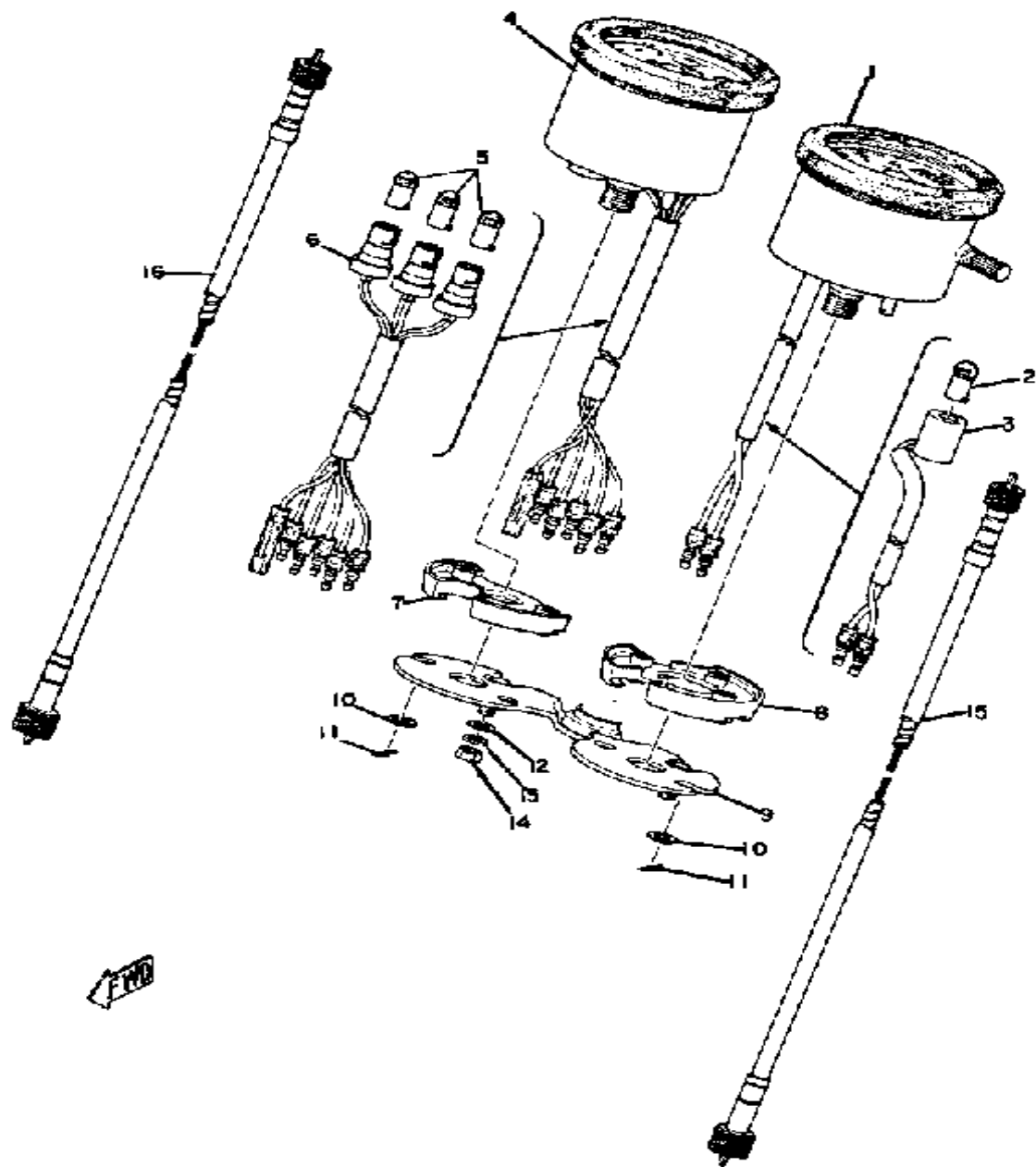
CONTINUED ON NEXT FRAME ►

STAND - FOOTREST - BRAKE PEDAL



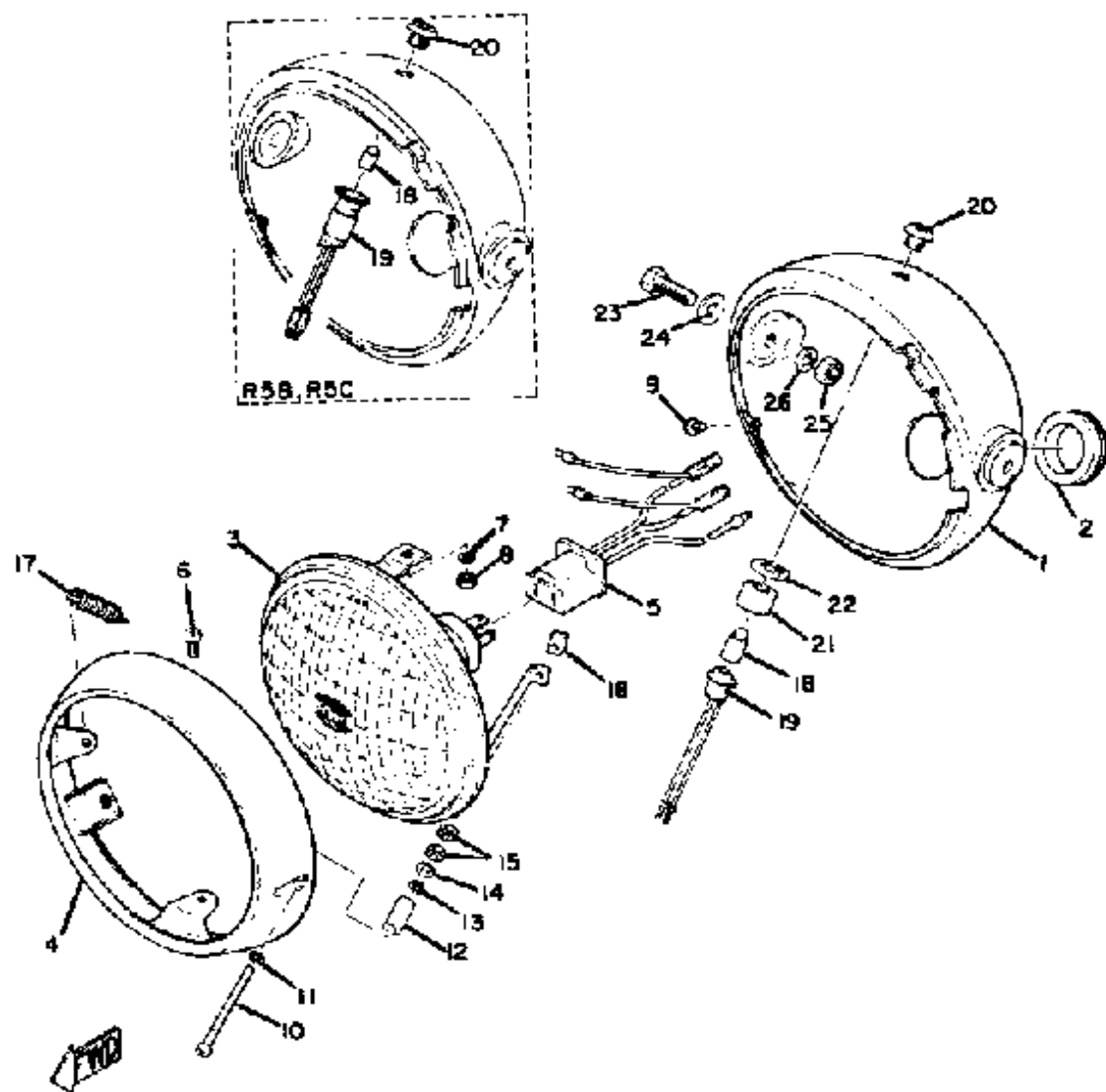
Ref. No.	Part Number	Description	Qty	Remarks
26	276-27231-00-00	ROD, BRAKE	1	
27	90240-06006-00	PIN, CLEVIS	1	
28	92990-06200-00	WASHER	1	
29	91401-25020-00	PIN, COTTER	1	
30	90501-10245-00	SPRING, COMPRESSION	1	
31	90249-12008-00	PIN	1	
32	90179-06411-00	NUT	1	
33	(278-21445-00-00)	STAY, MUFFLER 1	1	
34	(360-21446-00-00)	STAY, MUFFLER 2	1	
35	92990-08100-00	WASHER	4	
36	97313-08020-00	BOLT, HEXAGON	4	
37	168-27431-10-00	FOOTREST, REAR 1	2	
38	307-27433-00-00	COVER, RR FOOTREST	2	
39	90209-18117-00	WASHER, SPEC'L SHAP (168-27437-10)	2	
40	91701-06035-00	PIN, CLEVIS	2	
41	91490-16020-00	PIN, COTTER	2	
42	278-27314-00-00	STOPPER	1	F/0028755

METER



Ref. No.	Part Number	Description	Qty	Remarks
1	278-83570-40-00	SPEEDOMETER ASSEMBLY ..	1	MPH
2	123-83516-21-00	. BULB (12V-3.4W)	1	PN315
3	(278-83536-20-00)	SOCKET, METER	1	
4	(307-83540-00-00)	TACHOMETER ASSEMBLY ...	1	
5	123-83516-21-00	. BULB (12V-3.4W)	3	
6	(278-83520-00-00)	SOCKET CORD ASSEMBLY ..	1	
7	(278-83523-00-00)	DAMPER	1	
8	(278-83526-00-00)	DAMPER 2	1	
9	(278-83519-00-00)	BRACKET, METER	1	
10	90209-05029-00	WASHER, SPEC'L SHAP (214-83524-00)	4	
11	90468-10050-00	CLIP	4	
12	90201-06038-00	WASHER, PLATE	2	
13	92995-06100-00	WASHER, SPRING	2	
14	95380-06600-00	NUT	2	
15	2A6-83550-01-00	SPEEDOMETER CABLE (361-83550-00)	1	
16	278-83560-01-00	TACHOMETER CABLE (278-83560-00)	1	

HEADLIGHT



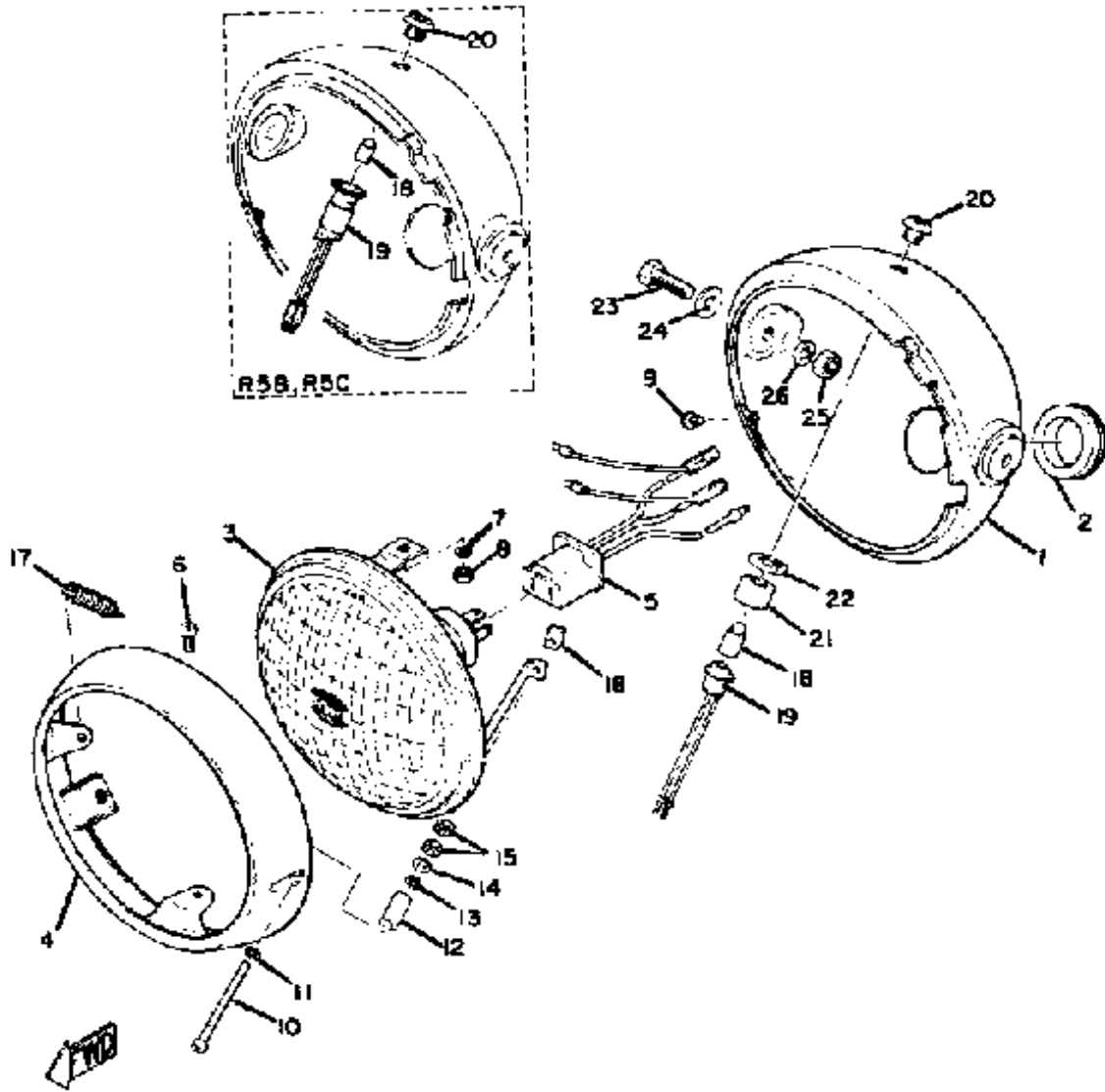
Ref. No.	Part Number	Description	Qty	Remarks
1	(246-84330-60-71)	BODY ASSEMBLY	1	
	(246-84330-60-R9)	BODY ASSEMBLY	1	
2	214-84153-60-00	. GROMMET, WIREHERNESS .	1	
3	246-84320-60-00	. LENS ASSEMBLY	1	
4	235-84315-60-00	. RIM, HEADLIGHT	1	
5	246-84312-60-00	. SOCKET	1	
6	98580-05012-00	. SCREW, PAN HEAD	2	
7	92990-05100-00	. WASHER, SPRING	2	
8	95380-05600-00	. NUT	2	
9	90152-05005-00	. SCREW, COUNTERSUNK ...	1	
10	90157-04001-00	. SCREW, PAN HEAD	1	
11	233-84127-60-00	. WASHER, SPECIAL	1	
12	233-84133-60-00	. COLLAR, SCREW	1	
13	92990-04200-00	. WASHER, PLAIN	1	
14	168-84328-60-00	. SPACER	1	
15	95301-04600-00	. NUT	2	
16	198-84334-60-00	. NUT, ADJUSTING	1	
17	(132-84335-60-00)	SPRING	1	
18	256-84347-00-00	. BULB	1	
19	256-84301-61-00	. PILOT LIGHT ASSEMBLY 1 ..	1	
20	214-84101-61-00	. PILOT LIGHT ASSEMBLY ...	1	
	256-84357-61-00	. BODY, PILOT LIGHT	1	
21	214-84101-61-00	. PILOT LIGHT ASSEMBLY ...	1	
22	(92901-12300-00)	WASHER, IN.TOOTH	1	
23	97013-08025-00	BOLT	2	
24	92990-08200-00	WASHER, PLAIN	2	
25	95333-08600-00	NUT, HEXAGON	2	
26	92990-08100-00	WASHER	2	
-1	HEA-DLAMP-UN-IT	UNAVAILABLE IN PRICE BOOK	1	N/A

CONTINUED ON NEXT FRAME ➤

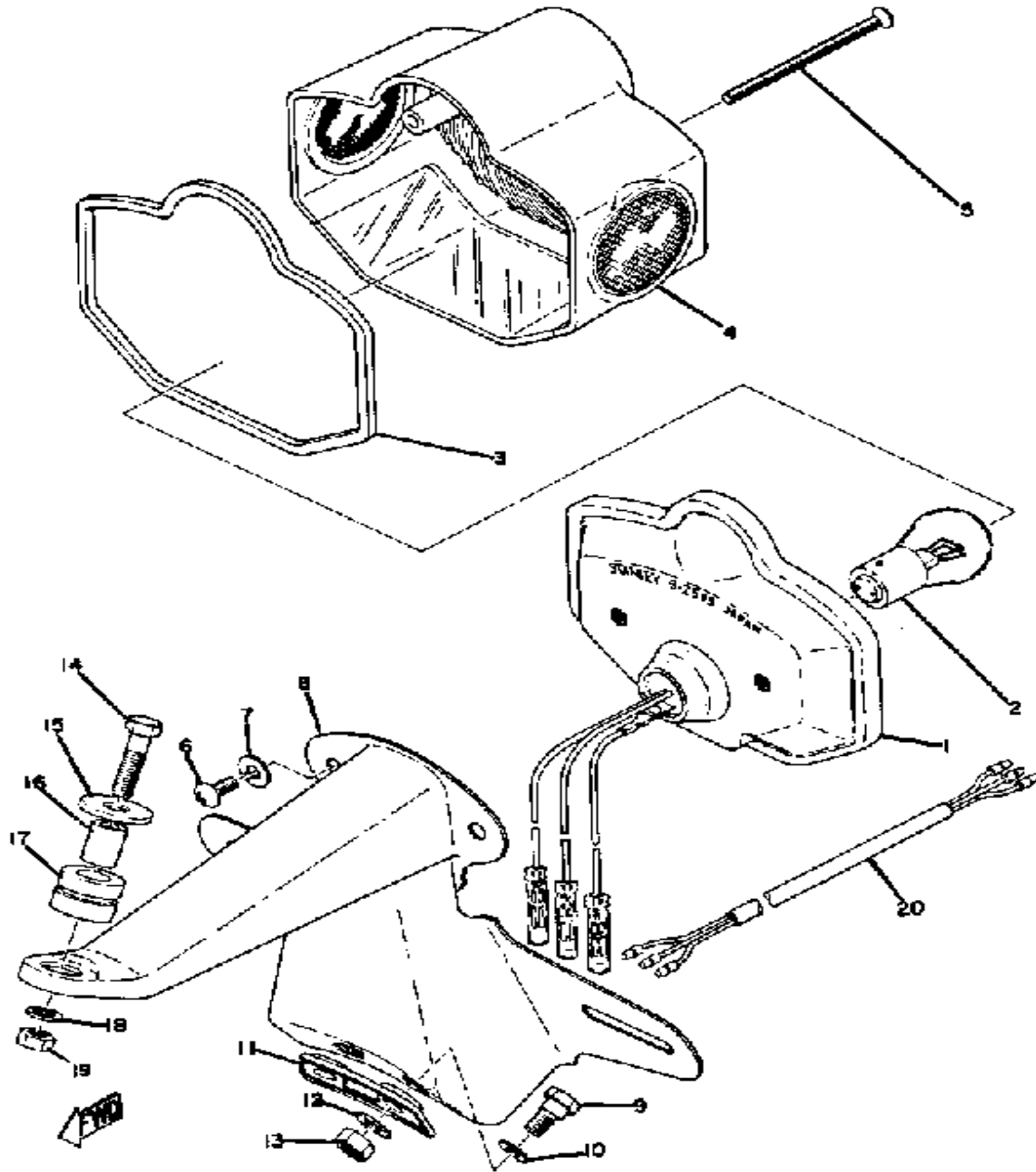
HEADLIGHT

Ref. No.	Part Number	Description	Qty	Remarks
----------	-------------	-------------	-----	---------

-2 256-84301-61-00 PILOT LIGHT ASSEMBLY 1 . . . 1

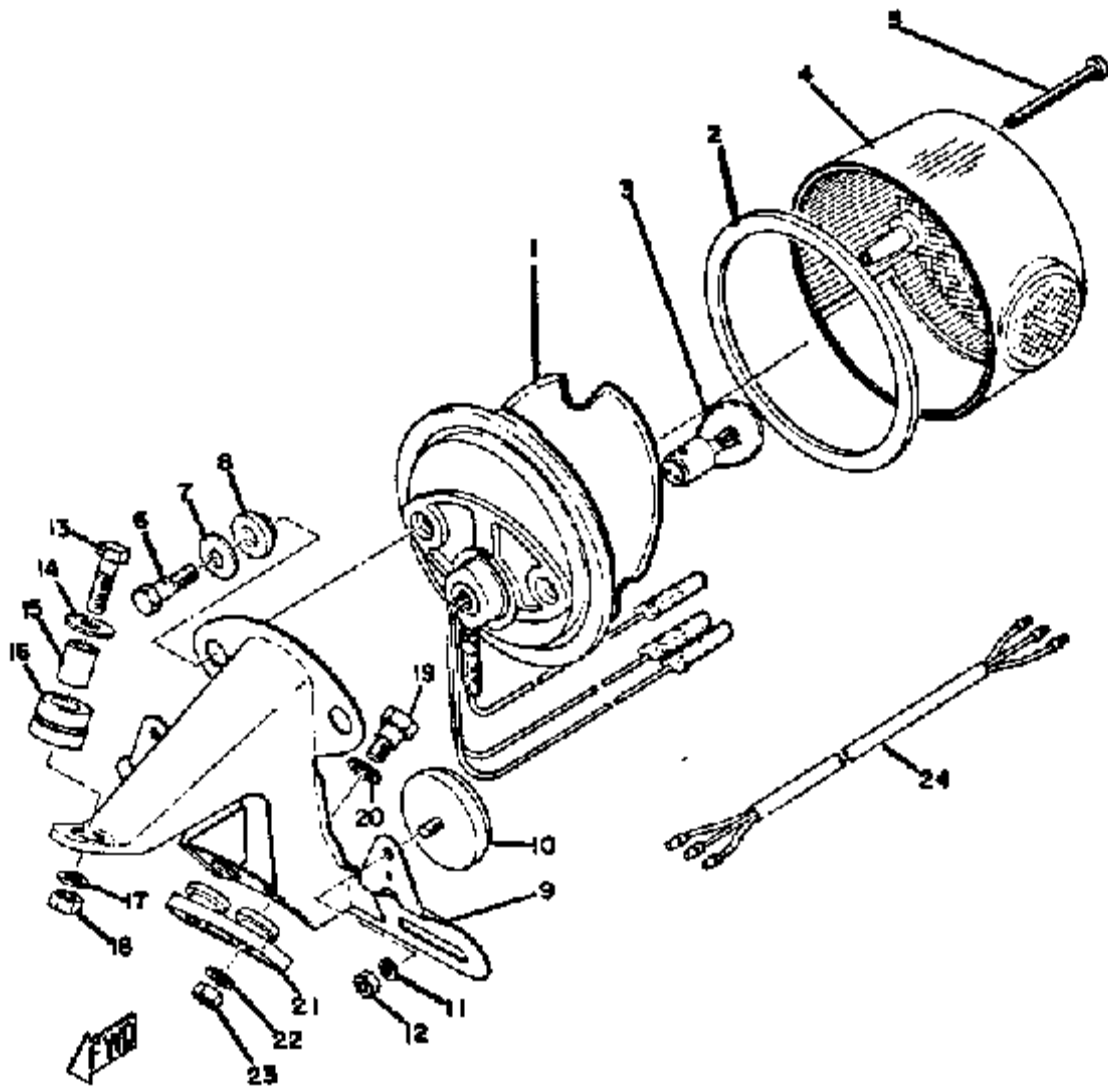


TAILLIGHT R5



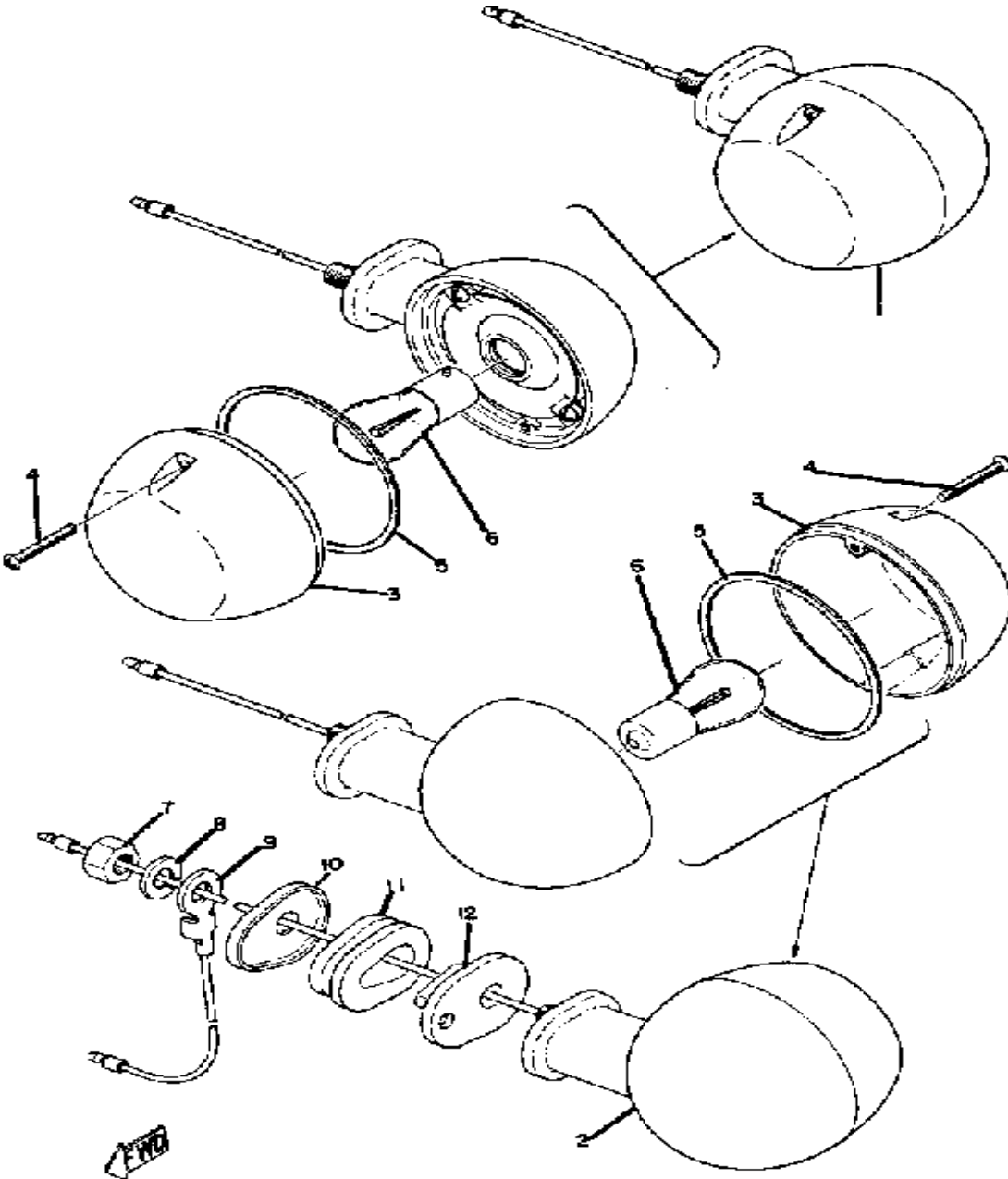
Ref. No.	Part Number	Description	Qty	Remarks
1	(256-84711-60-00)	BASE, TAILLIGHT	1	
2	137-84714-61-00	. BULB, TL 12V23/8W (J50-83311-00)	1	
3	(256-84723-60-00)	GASKET, TAIL LENS	1	
4	(256-84721-60-00)	LENS, TAILLIGHT	1	
5	3AA-84331-00-00	. SCREW, RIM ADJUSTING ...	2	PN315
6	98580-06010-00	. SCREW, PAN HEAD (92503-06010)	2	
7	92995-06100-00	. WASHER, SPRING	2	
8	(256-84751-60-35)	BRACKET, LICENSE	1	
9	90109-06017-00	BOLT	2	
10	92990-08200-00	WASHER, PLAIN	2	
11	214-84553-01-00	DAMPER	1	
12	92995-06100-00	WASHER, SPRING	2	
13	95380-06600-00	NUT	2	
14	97011-06025-00	BOLT (97001-06025)	1	PN315
15	90209-06026-00	WASHER, SPEC'L SHAP (256-21515-00)	1	
16	90387-065L7-00	COLLAR (51L) (214-21633-00) .	1	
17	90480-14023-00	GROMMET	1	
18	92995-06100-00	WASHER, SPRING	1	
19	95380-06600-00	NUT	1	
20	251-84517-60-00	CORD, TAILLIGHT	1	
-1	(256-84710-60-00)	TAILLIGHT UNIT ASSEMBLY ..	1	

TAILLIGHT R5B - R5C



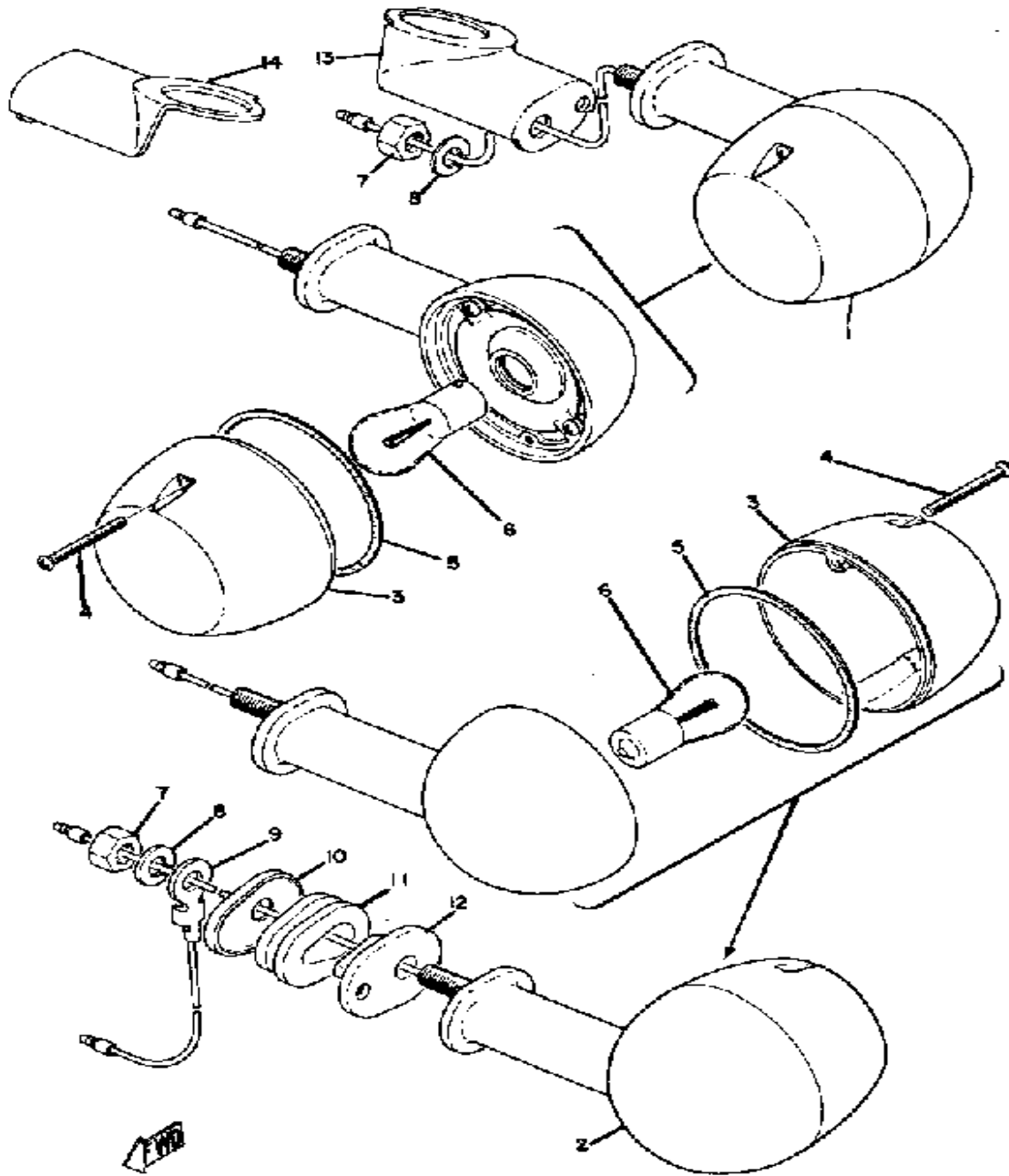
Ref. No.	Part Number	Description	Qty	Remarks
1	(275-84511-61-00)	BASE, TAILLIGHT	1	
2	275-84523-60-00	. GASKET, LENS	1	
3	256-84714-61-00	. BULB (12V-27/8W)	1	
4	(275-84521-60-00)	LENS, TAILLIGHT	1	
5	98501-04050-00	. SCREW, PAN HEAD	3	
7	2H7-84754-00-00	. WASHER, SPECIAL	2	
8	275-84527-60-00	. DAMPER	2	
9	341-84751-61-93	BRACKET, LICENSE	1	
10	(278-85111-00-00)	REFLECTOR, FRONT 1	2	
11	92990-05100-00	WASHER, SPRING	2	
12	95380-05600-00	NUT	2	R5B/C
13	97011-06025-00	BOLT (97001-06025)	1	PN315
14	90209-06095-00	WASHER, SPEC'L SHAP (102-28323-00)	1	
15	90387-065L7-00	COLLAR (51L) (214-21633-00)	1	
16	90480-14023-00	GROMMET	1	
17	92995-06100-00	WASHER, SPRING	1	
18	95380-06600-00	NUT	1	
19	90109-06017-00	BOLT	2	
20	92990-08200-00	WASHER, PLAIN	2	
21	214-84553-01-00	DAMPER	1	
22	92995-06100-00	WASHER, SPRING	2	
23	95380-06600-00	NUT	2	
24	251-84517-60-00	CORD, TAILLIGHT	1	
-1	256-84710-61-00	TAILLIGHT UNIT ASSEMBLY	1	

URNSIGNAL R5



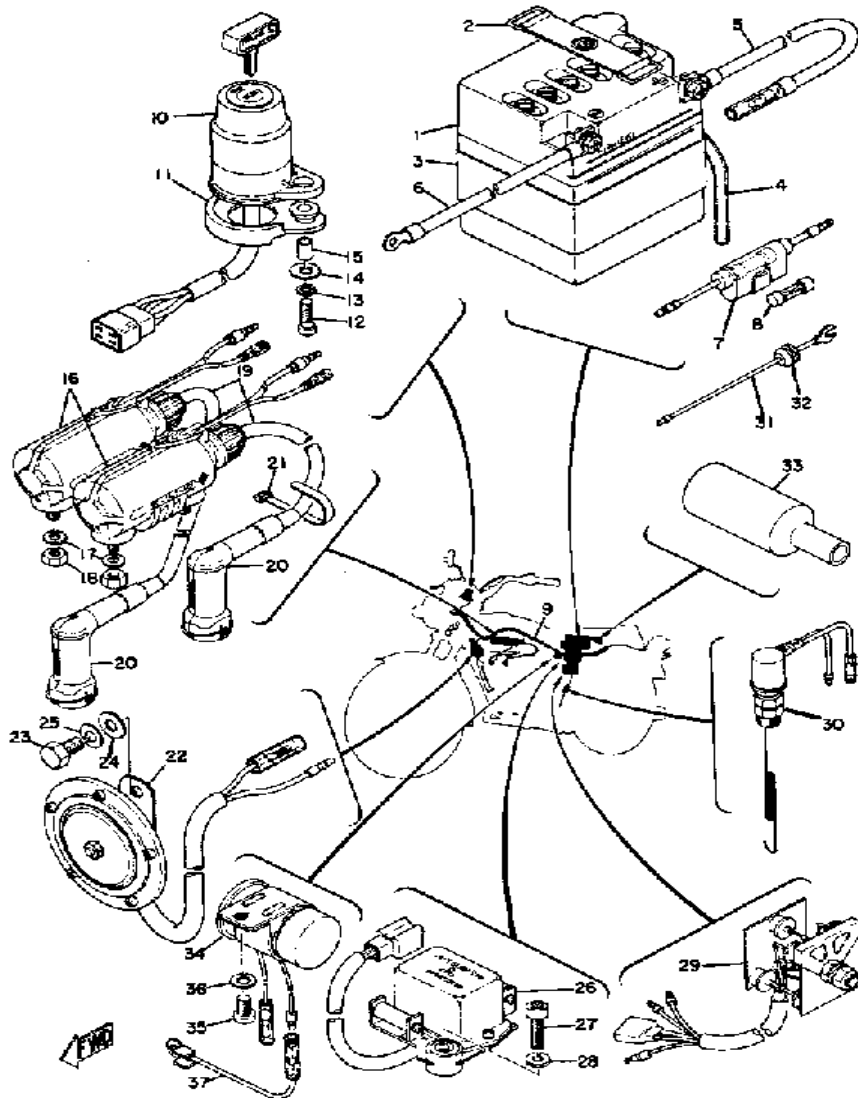
Ref. No.	Part Number	Description	Qty	Remarks
1	278-83310-71-93	FRT FLSHR LITE ASSEMBLY .	2	AMBER
2	(278-83330-76-93)	R FLSHR LITE ASSEMBLY ...	2	RED
3	183-83312-70-00	. LENS, FLASHER	4	AMBER
	211-83332-75-00	. LENS, FLASHER	2	
4	183-83333-71-00	. SCREW, LENS FITTING	8	
5	183-83313-70-00	. GASKET, FLSHR LENS	4	
6	256-83311-70-XX	. BULB, TS 12V27W	4	
7	95333-08600-00	NUT, HEXAGON	2	
8	92990-08100-00	WASHER	2	
9	256-84313-01-00	WIRE, EARTH	2	
10	90209-08028-00	WASHER, SPEC'L SHAP	2	
11	256-83321-00-00	DAMPER, FLASHER 1	2	
12	256-83316-00-00	COLLAR, FLASHER 1	2	

URNSIGNAL R5B - R5C



Ref. No.	Part Number	Description	Qty	Remarks
1	278-83310-71-93	FRT FLSHR LITE ASSEMBLY .	2	
2	(278-83330-76-93)	R FLSHR LITE ASSEMBLY ...	2	RED
3	183-83312-70-00	. LENS, FLASHER	2	AMBER
	211-83332-75-00	. LENS, FLASHER	2	RED
4	183-83333-71-00	. SCREW, LENS FITTING	8	
5	183-83313-70-00	. GASKET, FLSHR LENS	4	
6	256-83311-70-XX	. BULB, TS 12V27W	4	
7	95333-08600-00	NUT, HEXAGON	4	PN315
8	92990-08100-00	WASHER	4	
9	256-84313-01-00	WIRE, EARTH	2	
10	90209-08028-00	WASHER, SPEC'L SHAP	2	
11	256-83321-00-00	DAMPER, FLASHER 1	2	
12	256-83316-00-00	COLLAR, FLASHER 1	2	
13	278-83318-00-00	STAY, FLASHER 1	1	PN315
14	278-83328-00-00	STAY, FLASHER 2	1	

ELECTRICAL

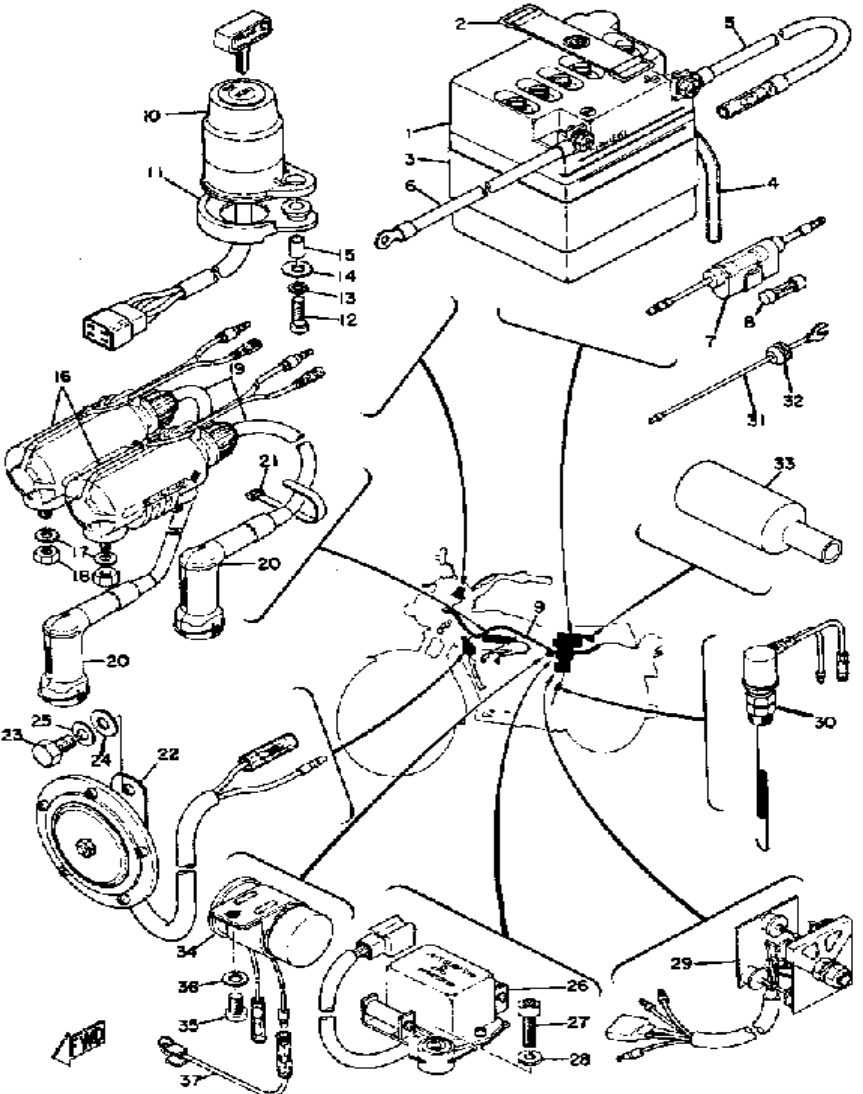


Ref. No.	Part Number	Description	Qty	Remarks
1	BTY-12N55-A3-B0	YUASA 12N5.5A-3B	1	
2	122-82131-00-00	BAND, BATTERY	1	
3	1UA-82124-00-00	BAND, BATTERY	1	
4	90445-08047-00	HOSE (168-82112-00)	1	
5	(278-82115-09-00)	WIRE, PLUS LEAD	1	
6	558-82116-00-00	WIRE, MINUS LEAD	1	
7	2UJ-82150-01-00	FUSE HOLDER ASSEMBLY (2UJ-82150-00-00)	1	
8	1A0-82161-00-00	. FUSE (20A) (148-82151-00-00)	2	
9	(278-82590-40-00)	WIRE HARNESS ASSEMBLY	1	
10	256-82508-31-00	MAIN SWITCH ASSEMBLY (366-82508-30)	1	
11	(256-82515-00-00)	DAMPER, MAIN SWITCH	1	
12	98580-05020-00	SCREW, PAN HEAD	2	
13	92990-05100-00	WASHER, SPRING	2	
14	90201-05031-00	WASHER, PLATE	2	
15	90387-05285-00	COLLAR (256-82517-00)	2	
16	254-82310-60-00	IGNITION COIL ASSEMBLY	2	
17	92995-06100-00	WASHER, SPRING	4	
18	95380-06600-00	NUT	4	
19	278-82341-00-00	CORD, HIGH TENS 1	2	
20	808-82370-10-00	PLUG CAP ASSEMBLY	2	
21	437-83936-11-00	BAND, SWITCH CORD	3	
22	4V8-83371-30-00	HORN	1	
23	97313-08018-00	BOLT, HEXAGON (97301-08016)	1	
24	92990-08200-00	WASHER, PLAIN	1	
25	92990-08100-00	WASHER	1	
26	278-81910-22-00	VOLTAGE REG ASSEMBLY	1	
27	98511-06025-00	SCREW PAN HEAD (92501-06025)	2	

	R5	R5B
8. IGNITION TIMING B. T. D. C. (mm) Retarded		-
Advanced	2.0mm ± .1	2.0mm ± .1
9. CONTACT BREAKER POINT GAP SETTING (mm) (inch)	.3-.35mm .011-.013"	.30-.40mm .012-.015"
10. SPARK PLUG AND GAP (mm)	B-9HC .5-.6mm	B-9HC .5-.6mm
11. VOLT. REG. ADJ. (Volts @ rpm - no load)	ALTERNATOR	ALTERNATOR
12. CUTOUT RELAY ADJ. (Cut in voltage)		
13. CONDENSER CAPACITY (Microfarad)	.22uF	.22uF

CONTINUED ON NEXT FRAME ➤

ELECTRICAL



Ref. No.	Part Number	Description	Qty	Remarks
28	92995-06100-00	WASHER, SPRING	2	
29	278-81970-21-00	RECTIFIER ASSEMBLY	1	
30	278-82530-09-00	STOP SWITCH ASSEMBLY	1	
31	(164-82541-00-00)	WIRE, LEAD	1	
32	90480-01148-00	GROMMET	1	
33	(256-82599-00-00)	COVER, CONNECTER	1	
34	173-83350-70-00	FLASHER RELAY ASSEMBLY	1	
	278-83350-71-00	FLASHER RELAY ASSEMBLY	1	
35	98580-06012-00	SCREW, PAN HEAD	1	
36	92995-06100-00	WASHER, SPRING	1	
37	(214-83354-00-00)	WIRE, EARTH LEAD 1	1	
38	(360-82117-00-00)	WIRE, LEAD 0 1	1	
1-1	(104-82111-20-00)	CAP, BATTERY	6	

	R5	R5B
8. IGNITION TIMING B. T. D. C. (mm)		
Retarded		-
Advanced	2.0mm ± .1	2.0mm ± .1
9. CONTACT BREAKER POINT GAP SETTING (mm) (inch)	.3-.35mm .011-.013"	.30-.40mm .012-.015"
10. SPARK PLUG AND GAP (mm)	B-9HC .5-.6mm	B-9HC .5-.6mm
11. VOLT. REG. ADJ. (Volts @ rpm - no load)	ALTERNATOR	ALTERNATOR
12. CUTOUT RELAY ADJ. (Cut in voltage)		
13. CONDENSER CAPACITY (Microfarad)	.22uF	.22uF